

# Tournesol

## Planter Accessory Pocket Guide



Tournesol planters may be modified to accommodate lighting, power, audio, charging ports, and other fixtures using Accessory Pockets. Pockets are cast-in-place in lightweight GFRC concrete, FRP fiberglass, or with a metal folded and welded pocket inserted into the interior of the planter or wall. Information in this guide will get you started on your Accessory Pocket request.

# Tournesol

## Standard Accessory Pockets (SAP)

We offer Standard Accessory Pockets for any flat-sided planter made from lightweight GFRC concrete, FRP fiberglass, or metal. SAPs are the most cost-effective, quick, and easy option for Accessory Pockets; fixture not included. For planters with wood cladding or curved sides, see Custom Accessory Pockets (CAP) below.

To request a SAP, you will use the pages at the end of this guide. First select your fixture(s) from the **Fixture Compatibility Chart**, then specify the pocket location using the attached **Accessory Pocket Application Sheet**.

## Custom Accessory Pockets (CAP)

When using fixtures not on the **Fixture Compatibility Chart** or adding fixtures to wood-clad or curved surfaces, you will need a Custom Accessory Pocket.

The process for ordering a CAP requires that you provide a physical sample of your selected fixtures so that a custom pocket can be created for your planters. If possible, use the **Accessory Pocket Application Sheet** to specify the pocket location and approximate dimensions. For more complex requests, a plan and elevation drawings may be needed.

For pockets on Boulevard planters which are clad in 1"x 6" boards, request your preferred location. Placement may need to be adjusted for best results. Our Advisors will work with you to select the final location.

## Fixture Placement

One SAP can be placed on any planter side. If you require multiple pockets per side, it will be a CAP.

Note that the space required by Accessory Pockets is generally larger than the pocket opening. If you follow the guidelines on the **Accessory Pocket Application Sheet**, it should provide the necessary space behind the planter wall to accommodate the pocket. Since the pocket is larger, that is why the guidelines require the pocket to be inset from planter wall edges. If you require placement outside the guidelines, a CAP may be able to accommodate the need. A Tournesol Advisor will help with your requirements.

The overall size of the accessory must not be closer than 4" from any edge of the planter side. If the provided dimensions do not follow this requirement, you will be notified. All required dimensions should be provided (see page 5 for minimum and maximum dimension guidelines).

Fixture Compatibility Chart for Standard Accessory Pockets

			Manufacturers and Fixtures (Fixtures not included)						
Part #	Description		Hydrel (Acuity)	Progress	WAC	RAB	WE-EF	BEGA	FX Luminaire
SAP-S1G	SAP for Steel Planter	1 Gang Box, Weathertight, Vertical	HS11-XX	P66000X-XXX-30		FSLEDV			SL-3
SAP-S1GH	SAP for Steel Planter	1 Gang Box, Weathertight, Horizontal		P66000X-XXX-30	WL-LED100,110,140	FSLEDH			SL-5, RH
SAP-S2G	SAP for Steel Planter	2 Gang Box, Weathertight, Horizontal	HSL13-3						
SAP-S4G	SAP for Steel Planter	4 Gang Box, Weathertight, Horizontal	HSL13-6						
SAP-SA	SAP for Steel Planter	10.25"W x 2.75"H					ST(L,O)134		
SAP-SB	SAP for Steel Planter	9.25"W x 3"H					ST(L,O,P)259		
SAP-SC	SAP for Steel Planter	6.5"W x 2.625"H						24 063, 33 053	
SAP-SD	SAP for Steel Planter	10"W x 2.625"H						20 064, 33 054, 33 163	
SAP-SE	SAP for Steel Planter	12.5"W x 2.625"H						24 065, 33 055, 33 168	
SAP-SF	SAP for Steel Planter	5.75"W x 5.75"H						24 210, 24 215	
SAP-SG	SAP for Steel Planter	7.375"W x 7.375"H						24 211, 24 216	
SAP-SH	SAP for Steel Planter	9.75"W x 9.75"H						24 212, 24 217	
SAP-SI	SAP for Steel Planter	5.5"W x 5.5"H							A-NK4
SAP-SJ	SAP for Steel Planter	2.7"W x 8.6"H							VK
SAP-F1G	SAP for FRP Planter	1 Gang Box, Non-Metallic, 1ea Stub-out	HS11-XX	P66000X-XXX-30		FSLEDV			SL-3
SAP-F1GH	SAP for FRP Planter	1 Gang Box, Non-Metallic, 1ea Stub-out, Horizontal		P66000X-XXX-30	WL-LED100,110,140	FSLEDH			SL-5, RH
SAP-F2G	SAP for FRP Planter	2 Gang Box, Non-Metallic, 1ea Stub-out	HSL13-3						
SAP-F4G	SAP for FRP Planter	4 Gang Box, Non-metallic, 1ea Stub-out	HSL13-6						
SAP-FA	SAP for FRP Planter	10.25"W x 2.75"H					ST(L,O)134		
SAP-FB	SAP for FRP Planter	9.25"W x 3"H					ST(L,O,P)259		
SAP-FI	SAP for FRP Planter	5.5"W x 5.5"H							A-NK4
SAP-FJ	SAP for FRP Planter	2.7"W x 8.6"H							VK
SAP-G1G	SAP for GFRC Planter	1 Gang Box, Non-Metallic, 1ea Stub-out	HS11-XX	P66000X-XXX-30		FSLEDV			SL-3
SAP-G1GH	SAP for GFRC Planter	1 Gang Box, Non-Metallic, 1ea Stub-out, Horizontal		P66000X-XXX-30	WL-LED100,110,140	FSLEDH			SL-5, RH
SAP-G2G	SAP for GFRC Planter	2 Gang Box, Non-Metallic, 1ea Stub-out	HSL13-3						
SAP-G4G	SAP for GFRC Planter	4 Gang Box, Non-Metallic, 1ea Stub-out	HSL13-6						
SAP-GA	SAP for GFRC Planter	10.25"W x 2.75"H					ST(L,O)134		
SAP-GB	SAP for GFRC Planter	9.25"W x 3"H					ST(L,O,P)259		
SAP-GI	SAP for GFRC Planter	5.5"W x 5.5"H							A-NK4
SAP-GJ	SAP for GFRC Planter	2.7"W x 8.6"H							VK

Complete this sheet for each unique planter and pocket configuration.

CUSTOMER APPROVAL:

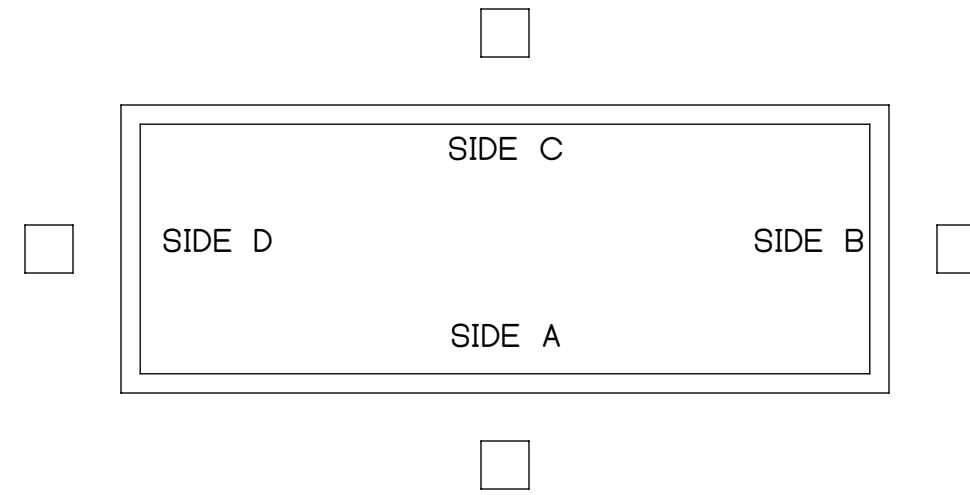
SIGNATURE AUTHORIZES TOURNESOL SITEWORKS TO MANUFACTURE THE PRODUCT AS SHOWN.

**STEP 1:** Complete Order Information

Order #	Date
Planter Model	Quantity
Standard Acc. Pocket (check only one) <input type="checkbox"/>	Custom Acc. Pocket* (check only one) <input type="checkbox"/>
SAP - <input type="text"/>	CAP* <input type="text"/>
Fixture Brand	
Fixture Model	

**\*PHYSICAL SAMPLE OF FIXTURE REQUIRED FOR ALL "CAP" ORDERS. INCLUDE TECHNICAL SPECIFICATIONS.**

**STEP 2:** Check side(s) of the planter where accessory will be installed.

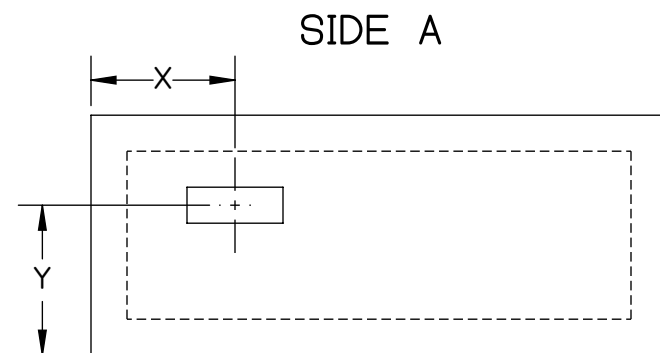


PLANTER PLAN VIEW

NOTE:

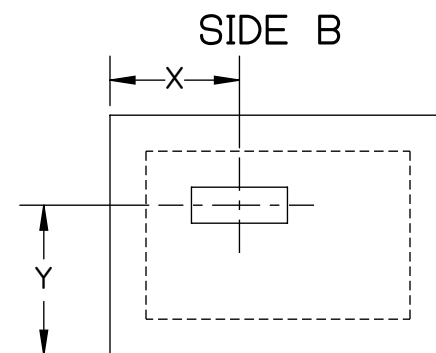
One accessory per planter face. For additional accessories per face, please contact sales.

**STEP 3:** For each side checked above, identify the accessory location.



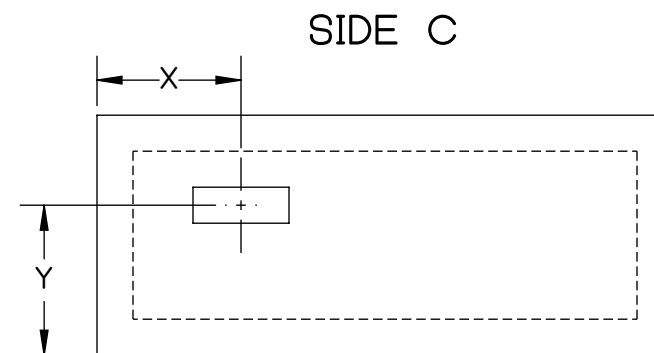
FROM LEFT (X) \_\_\_\_\_

FROM BOTTOM (Y) \_\_\_\_\_



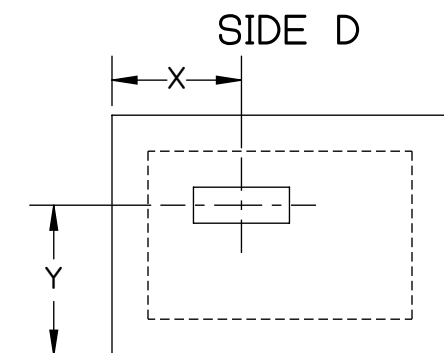
FROM LEFT (X) \_\_\_\_\_

FROM BOTTOM (Y) \_\_\_\_\_



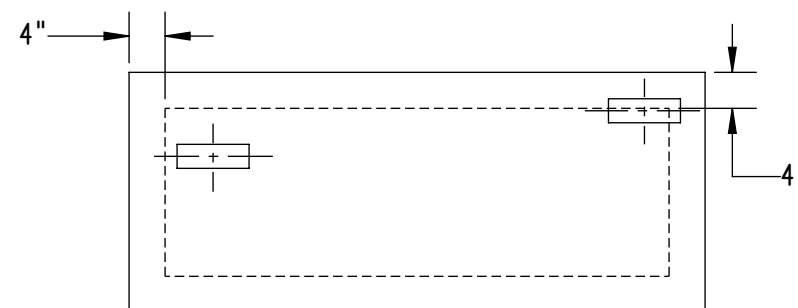
FROM LEFT (X) \_\_\_\_\_

FROM BOTTOM (Y) \_\_\_\_\_



FROM LEFT (X) \_\_\_\_\_

FROM BOTTOM (Y) \_\_\_\_\_



OK!

EXAMPLE

NO!

NOTE: Overall size of accessory must be no closer than 4" from any edge. If provided dimensions do not follow this requirement, you will be notified (see second page for min/max dimension guideline).



2930 FABER STREET, UNION CITY, CA 94587

SIZE B DWG NUMBER:

DIMENSIONS ARE IN INCHES UNLESS OTHERWISE SPECIFIED

TITLE: ACCESSORY POCKET APPLICATION SHEET

APPROVED: -

DRAWN: WY 2023-01-10 SHEET 1 OF 2

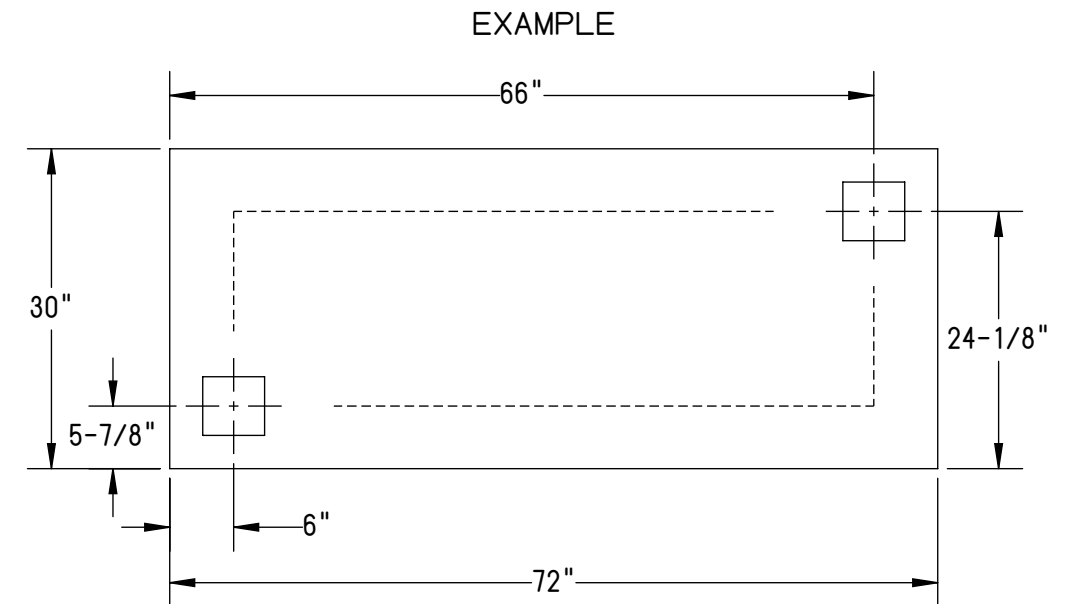
CUSTOMER APPROVAL:  
SIGNATURE AUTHORIZES TOURNESOL SITEWORKS TO MANUFACTURE THE PRODUCT AS SHOWN.

## REFERENCE INFORMATION

### SAP POSITION MIN/MAX DIMENSIONS


SAP POSITION MIN/MAX DIMENSIONS (METAL)				
PART #	MIN "X"	MIN "Y"	MAX "X"	MAX "Y"
SAP-S1G	5-1/2"	6-1/2"	Wall Length Minus 5-1/2"	Wall Height Minus 6-1/2"
SAP-S1GH	6-1/2"	5-1/2"	Wall Length Minus 6-1/2"	Wall Height Minus 5-1/2"
SAP-S2G	6"	5-7/8"	Wall Length Minus 6"	Wall Height Minus 5-7/8"
SAP-S4G	7-7/8"	5-7/8"	Wall Length Minus 7-7/8"	Wall Height Minus 5-7/8"
SAP-SA	9-3/8"	5-3/8"	Wall Length Minus 9-3/8"	Wall Height Minus 5-3/8"
SAP-SB	9"	5-7/8"	Wall Length Minus 9"	Wall Height Minus 5-7/8"
SAP-SC	7-3/8"	5-3/8"	Wall Length Minus 7-3/8"	Wall Height Minus 5-3/8"
SAP-SD	9-1/8"	5-3/8"	Wall Length Minus 9-1/8"	Wall Height Minus 5-3/8"
SAP-SE	10-1/4"	5-3/8"	Wall Length Minus 10-1/4"	Wall Height Minus 5-3/8"
SAP-SF	6-7/8"	6-7/8"	Wall Length Minus 6-7/8"	Wall Height Minus 6-7/8"
SAP-SG	7-3/4"	7-3/4"	Wall Length Minus 7-3/4"	Wall Height Minus 7-3/4"
SAP-SH	8-7/8"	8-7/8"	Wall Length Minus 8-7/8"	Wall Height Minus 8-7/8"
SAP-SI	6-7/8"	6-7/8"	Wall Length Minus 5-1/2"	Wall Height Minus 8-1/2"
SAP-SJ	5-1/2"	6-7/8"	Wall Length Minus 6-7/8"	Wall Height Minus 6-7/8"

SAP POSITION MIN/MAX DIMENSIONS (FRP & GFRC)				
PART #	MIN "X"	MIN "Y"	MAX "X"	MAX "Y"
SAP-F1G	5-1/2"	6-1/2"	Length Minus 5-1/2"	Wall Height Minus 6-1/2"
SAP-F1GH	6-1/2"	5-1/2"	Length Minus 6-1/2"	Wall Height Minus 5-1/2"
SAP-F2G	6"	5-7/8"	Length Minus 6"	Wall Height Minus 5-7/8"
SAP-F4G	7-7/8"	5-7/8"	Length Minus 7-7/8"	Wall Height Minus 5-7/8"
SAP-FA	9-3/8"	5-3/8"	Length Minus 9-3/8"	Wall Height Minus 5-3/8"
SAP-FB	9"	5-7/8"	Length Minus 9"	Wall Height Minus 5-7/8"



A 72"L and 30"T planter requiring an SAP-S2G.  
Minimum placement: 6" for "X" and 5-7/8" for "Y".  
Maximum placement: 66" for "X" and 24-1/8" for "Y".

PROPRIETARY NOTICE:  
CONFIDENTIAL ENGINEERING DRAWING. INFORMATION CONTAINED HERIN IS THE EXCLUSIVE PROPERTY OF TOURNESOL SITEWORKS.  
IT IS NOT TO BE COPIED OR DISCLOSED TO OTHERS, IN WHOLE OR IN PART, WITHOUT THE CONSENT OF TOURNESOL SITEWORKS.

 <b>Tournesol</b> SITEWORKS	TITLE:		ACCESSORY POCKET APPLICATION SHEET
	2930 FABER STREET, UNION CITY, CA 94587		
SIZE B	DWG NUMBER:		REV -
DIMENSIONS ARE IN INCHES UNLESS OTHERWISE SPECIFIED		APPROVED: INF	DRAWN: WY 2023-01-10 SHEET 2 OF 2