

Plaza Collection Tables

Commercial Tables for Public and Courtyard Dining

Materials: **Steel**

The Plaza Collection tables are classic, steel strap picnic tables that work in most environments. Tables are available in several configurations, including 37" square top tables or 6' to 8' rectangular tables, and each table or bench is fabricated with 1/4" x 1-1/2" welded steel straps. Plaza tables are a popular choice for public plaza seating areas, courtyards, and eating areas; they are durable, and fully complementary to our matching Plaza trash receptacles and recyclers.



- Classic, comfortable, and durable picnic tables, with strong steel tube framework
- Plaza Collection tables are available with surface or embed mountings
- Square and rectangular sizes from 37" to 96" with two and three seat ADA styles available
- Matching benches, trash, and ash receptacles and recyclers available



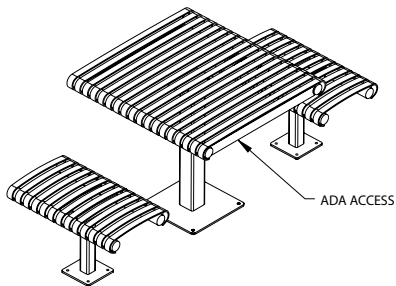
Plaza Collection Square Tables and Benches

Specifications

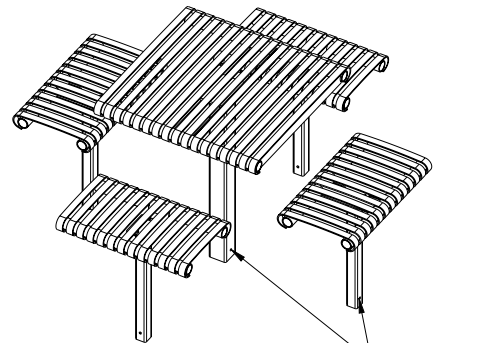
Part. No.	Description	Size	Approx. Weight (lbs)	Mounting
PZ-0400-30	Backless Bench (each), 30" long, FW part no. F-7	30" L x 18-1/2" W x 16" H	81	Surface-Mount
PZ-0400-30A	Backless Bench, ADA Wheelchair Accessible (each), 30" long	30" L x 18-1/2" W x 18-1/2" H	83	Surface-Mount
PZ-0420-30	Backless Bench (each), 30" long	30" L x 18-1/2" W x 16" H	84	Permanent Embed
PZ-0420-30A	Backless Bench, ADA Wheelchair Accessible (each), 30" long	30" L x 18-1/2" W x 18-1/2" H	86	Permanent Embed
PZ-1000-3636	Steel Strap Table, 36" square, FW part no. F-7	37-1/2" L x 37-1/2" W x 30" H	213	Surface-Mount
PZ-1000-3636A	Steel Strap Table, ADA compatible, 36" square	37-1/2" L x 40" W x 32" H	223	Surface-Mount
PZ-1020-3636	Steel Strap Table, 36" square	37-1/2" L x 37-1/2" W x 30" H	193	Permanent Embed
PZ-1020-3636A	Steel Strap Table, ADA compatible, 36" square	37-1/2" L x 40" W x 32" H	203	Permanent Embed

*Bench seats and tables sold separately.

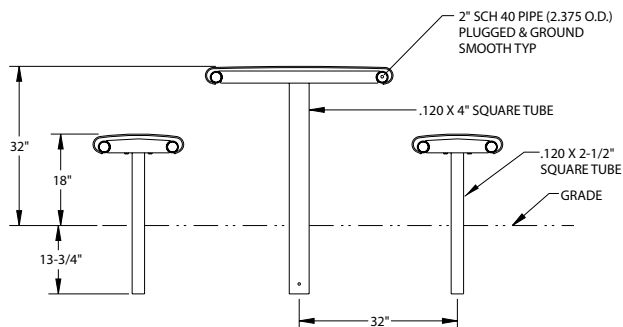
Typical ADA accessible table uses 2 or 3 benches.



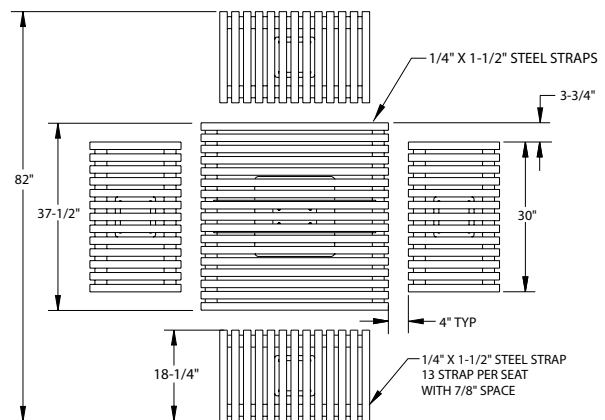
PZ-1000-3636A and (2) PZ-0400-30
SURFACE-MOUNT



PZ-1020-3636 and (4) PZ-0420-30
EMBED MOUNT



PZ-1020-3636A and (2) PZ-0420-30A
WHEELCHAIR ACCESSIBLE
EMBED MOUNT



PZ-1000-3636 and (4) PZ-0400-30
SURFACE-MOUNT

NOTE:

For permanent embed; depth and diameter of installation holes may vary with soil conditions. Consult project engineer for correct dimensions.

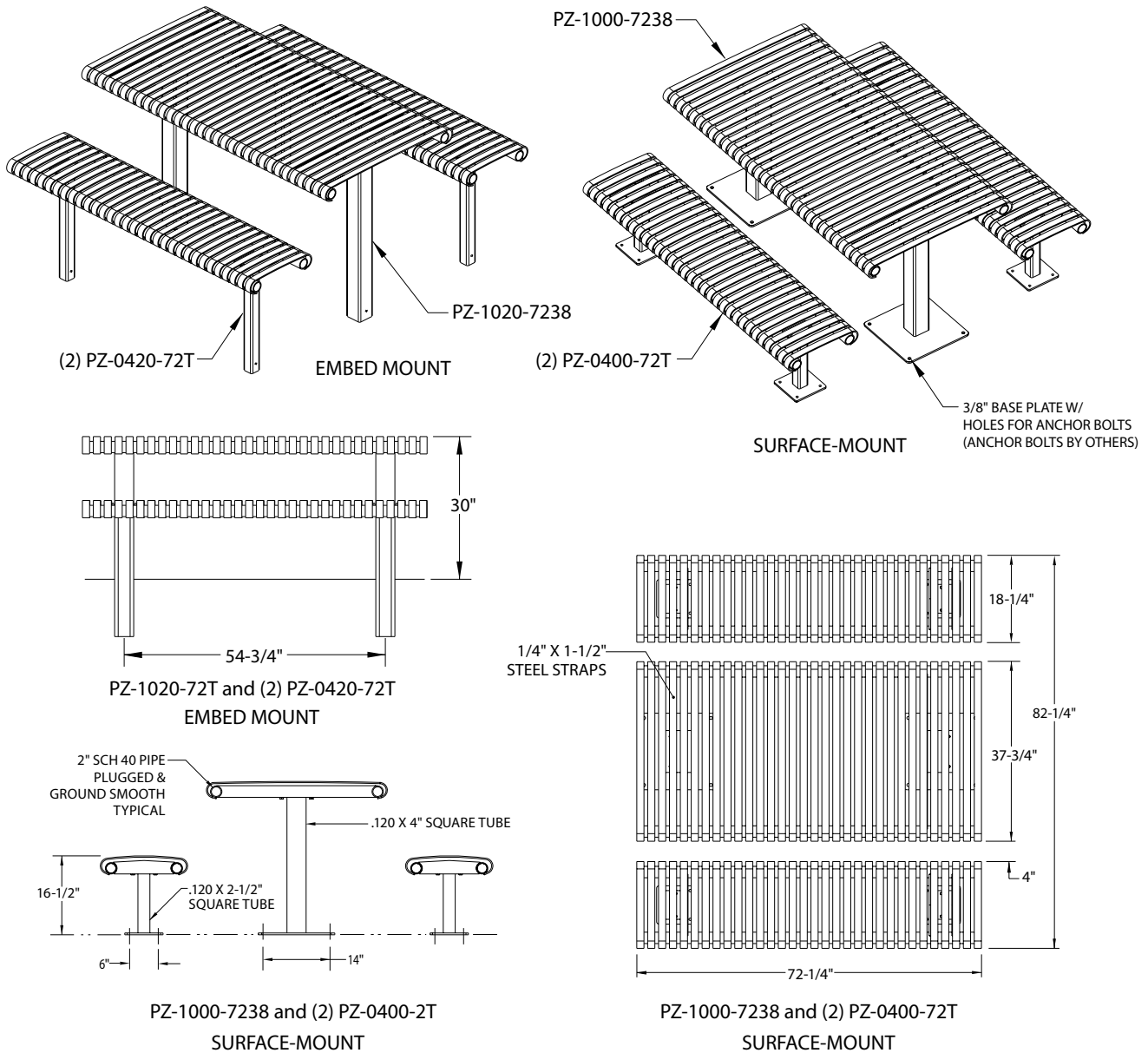
Plaza Collection Wheelchair Accessible table seats and tables are 2" taller than standard versions. (30" seats are 18"H, 36" tables are 32"H)

Plaza Collection 72" Tables and Benches

Specifications

Part. No.	Description	Size	Approx. Weight (lbs)	Mounting
PZ-0400-72A	Backless Bench, ADA compatible Plaza table, 6', FW part no. F-8	72-1/4" L x 37-3/4" W x 18-1/2" H	198	Surface-Mount
PZ-0400-72T	Backless Bench, for use with Plaza table, 6'	72-1/4" L x 37-3/4" W x 30" H	188	Surface-Mount
PZ-0420-72A	Backless Bench, for use with ADA compatible Plaza table, 6'	72-1/4" L x 37-3/4" W x 18-1/2" H	200	Permanent Embed
PZ-0420-72T	Backless Bench, for use with Plaza table, 6'	72-1/4" L x 37-3/4" W x 30" H	190	Permanent Embed
PZ-1000-7238	Rectangular Steel Table, 72" long x 38" w, FW part no. F-8	95" L x 37-3/4" W x 30" H	334	Surface-Mount
PZ-1020-7238	Rectangular Steel Table, 72" long x 38" w	95" L x 37-3/4" W x 30" H	338	Permanent Embed

*Bench seats and tables sold separately.



NOTE:

For permanent embed; depth and diameter of installation holes may vary with soil conditions. Consult project engineer for correct dimensions. Plaza Collection Wheelchair Accessible table seats and tables are 2" taller than standard versions. (72" seats are 18-1/2"H, 72" tables are 32"H)

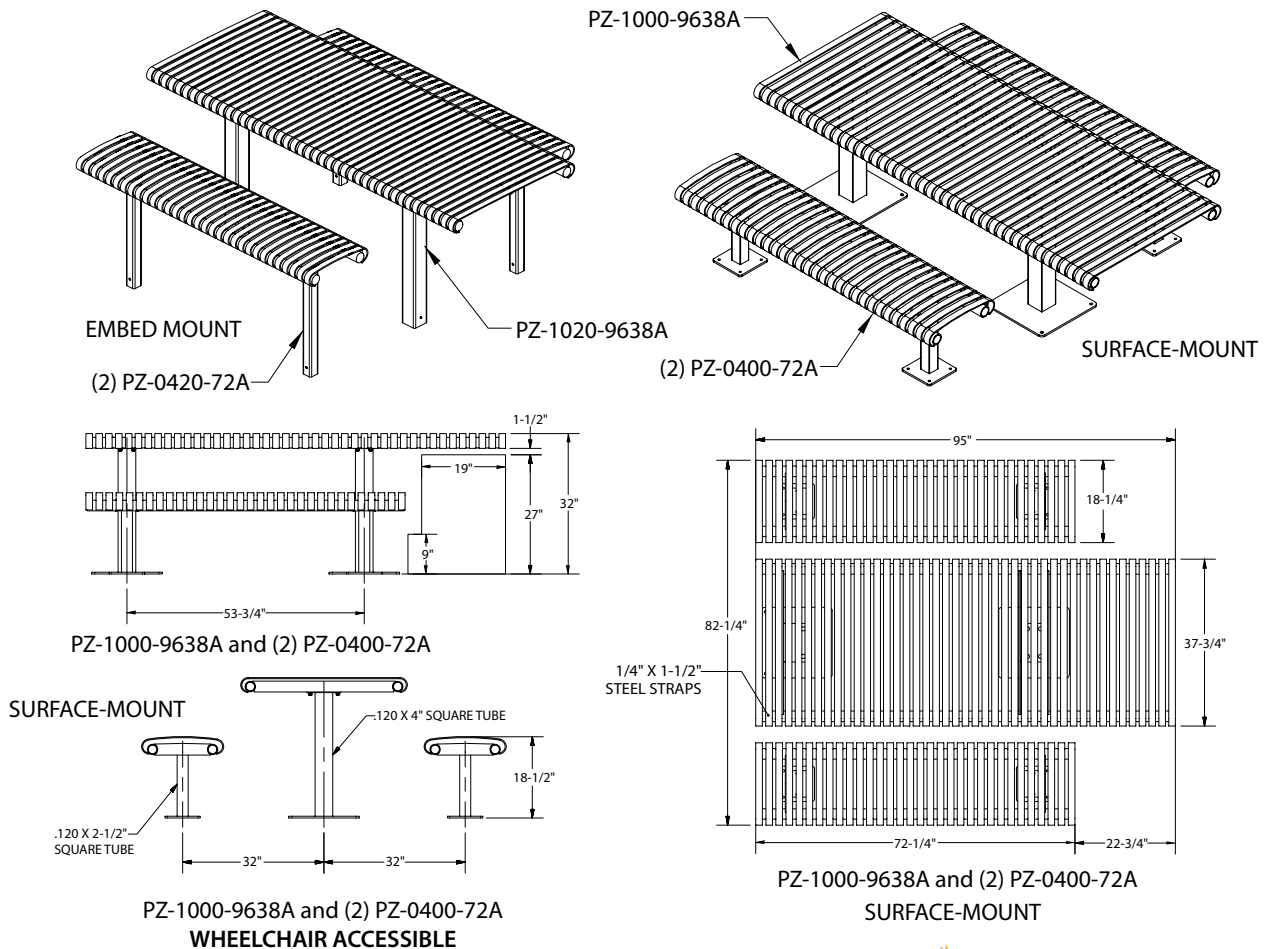


Plaza Collection 96" Tables and Benches

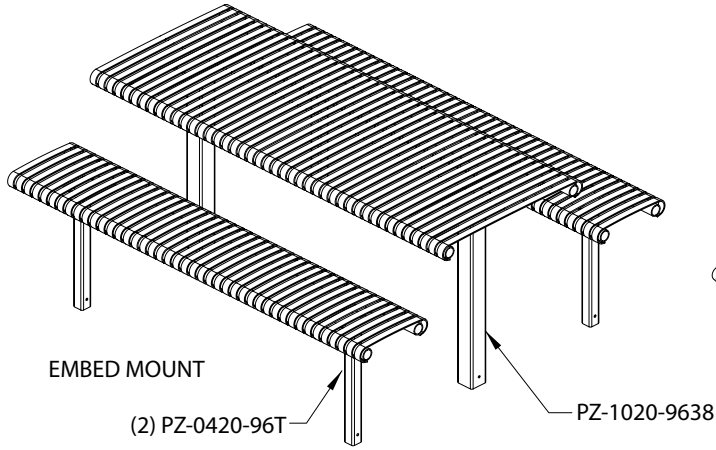
Specifications

Part No.	Description	Size	Approx. Weight (lbs)	Mounting
PZ-0400-96T	Backless Bench, for use with Plaza table, 8'; FW part no. F-8	95" L x 18-1/4" W x 30" H	226	Surface-Mount
PZ-0420-96T	Backless Bench, for use with Plaza table, 8'	95" L x 18-1/4" W x 30" H	238	Permanent Embed
PZ-1000-9638	Rectangular Steel Table, 96" long x 38" w, FW part no. F-8	95" L x 37-3/4" W x 30" H	405	Surface-Mount
PZ-1000-9638A	Rectangular ADA Steel Table, 96" long x 38" w, use with 72" bench	95" L x 37-3/4" W x 32" H	415	Surface-Mount
PZ-1020-9638	Rectangular Steel Table, 96" long x 38" w	95" L x 37-3/4" W x 30" H	409	Permanent Embed
PZ-1020-9638A	Rectangular ADA Steel Table, 96" x 38" w, use with 72" bench	95" L x 37-3/4" W x 32" H	419	Permanent Embed

*Bench seats and tables sold separately.



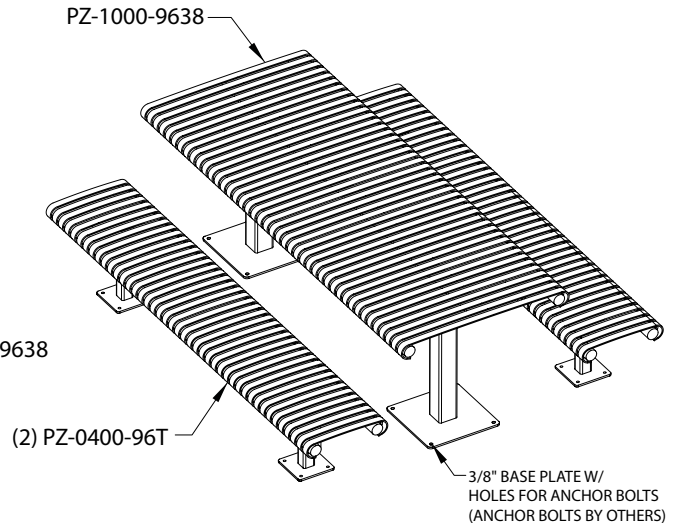
Plaza Collection 96" Tables and Benches



EMBED MOUNT

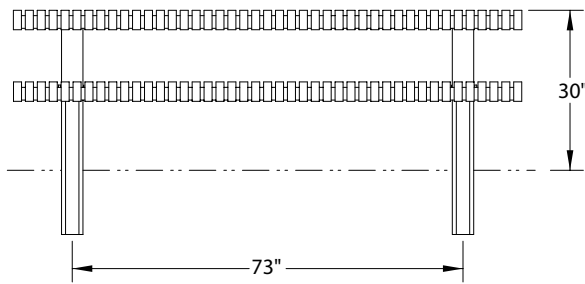
(2) PZ-0420-96T

PZ-1020-9638



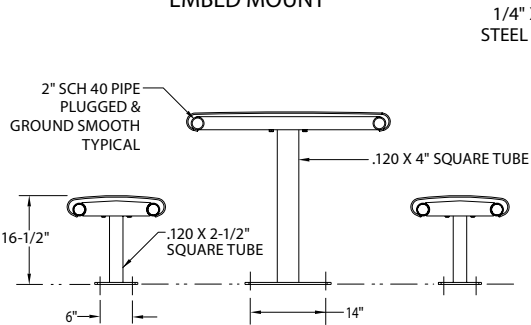
(2) PZ-0400-96T

SURFACE-MOUNT



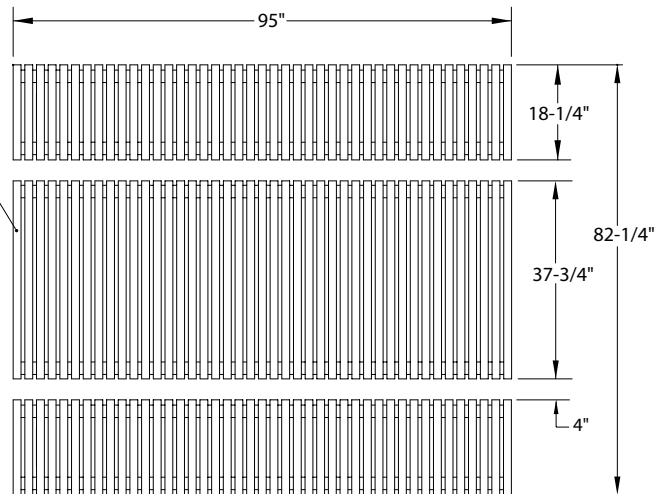
PZ-1020-9638 and (2) PZ-0420-96T

EMBED MOUNT



PZ-1000-9638 and (2) PZ-0400-96T

SURFACE-MOUNT



PZ-1000-9638 and (2) PZ-0400-96T

SURFACE-MOUNT

Plaza Collection Table Options

Part. No.	Description	Size
UM	Umbrella hole	2" Dia.

NOTE:

For permanent embed; depth and diameter of installation holes may vary with soil conditions. Consult project engineer for correct dimensions. Plaza Collection Wheelchair Accessible table seats and tables are 2" taller than standard versions. (96" seats are 18-1/2"H, 96" tables are 32"H)