



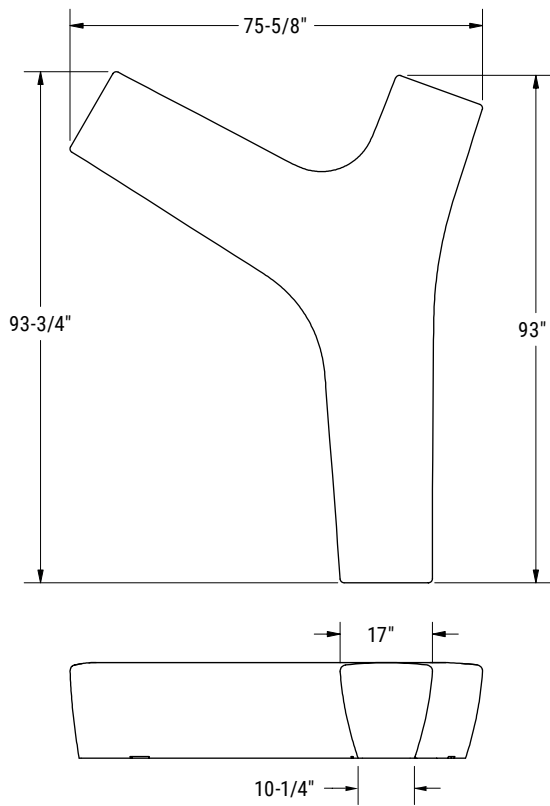
Twig Bench

Twig is a modular seating system made of lightweight GFRC Concrete, available in any of our 11 GFRC colors in Acid Etch or Sandblast finish.

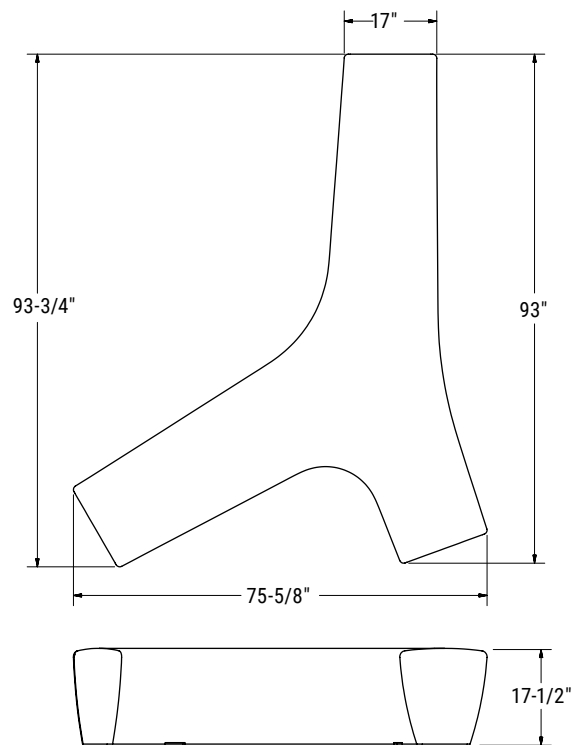
Well suited to courtyards and plazas, multi-family, civic, and campus locations, Twig can be mounted with external or concealed mounts. Stainless steel skate-stops are available.

Twig Benches

- Each Twig has three branches, of which the ends have the same profile; this makes Twig highly configurable.
- 4-5 people can sit comfortably on one Twig.
- Available in all our lightweight GFRG concrete colors in Acid Etch or Sandblast finish.
- Stainless steel skate stops available.
- Choose either External or Concealed Mounting Brackets.



G-01



G-02

PRODUCT	DESCRIPTION	OVERALL LENGTH	OVERALL WIDTH	SEAT WIDTH	HEIGHT	SEATING CAPACITY	WEIGHT (LBS)
G-01	Twig Bench, GFRG Concrete	93-3/4"L	75-5/8"	17"	17-1/2"	4 to 5	550-625
G-02	Twig Bench Reverse, GFRG Concrete	93-3/4"L	75-5/8"	17"	17-1/2"	4 to 5	550-625
GSS	Skate Stop	--	3"	--	--	NA	1



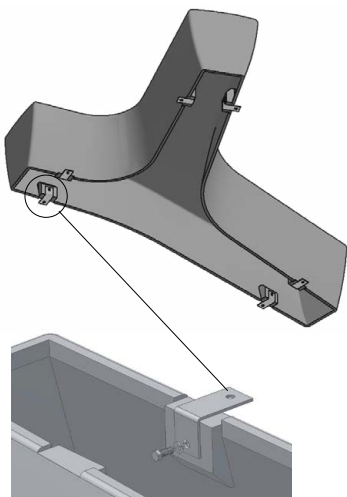
Twig Bench

TWO PARTS, UNLIMITED CONFIGURATIONS

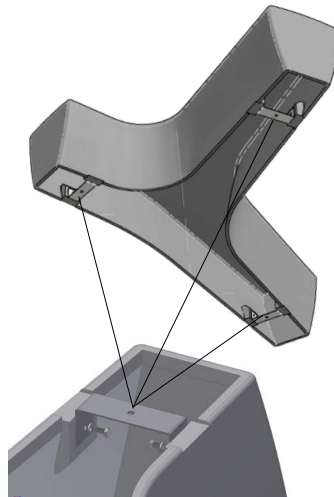
All have the same profile so you can create unique configurations.



TWIG BENCH MOUNTING OPTIONS

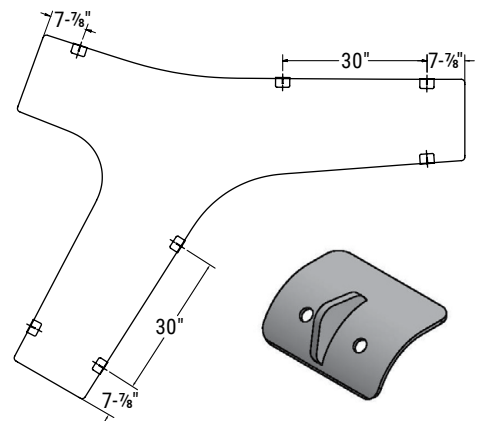


External mount bracket allows for direct adjustable anchoring.



Concealed mount bracket keeps the bench in place with epoxy anchors.

OPTIONAL TWIG SKATE STOP OPTIONS



Skate stops sold separately. See diagram for recommended quantity and placement.