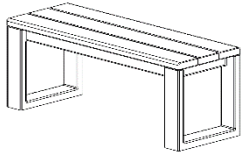
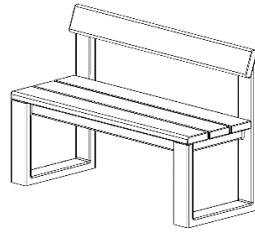


WILLARD TABLES & BENCHES Installation / Assembly Instructions



Bench (WT##1818)



Bench with Back (WT##1932)

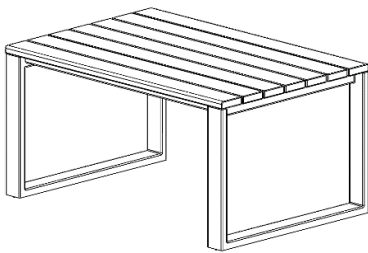
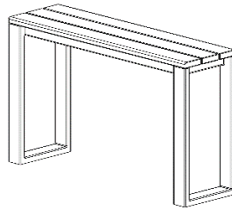
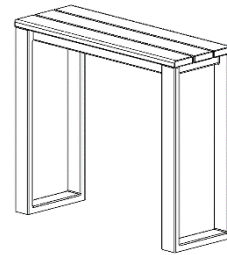


Table (WT##4130)



Counter (WT##1836)



Bar (WT##1842)

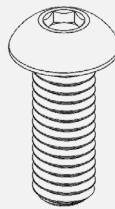
HARDWARE INCLUDED



3/8" Lock Washer
8X

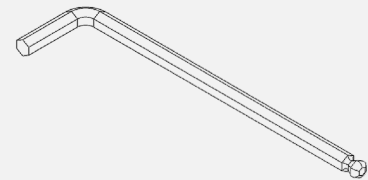


3/8" Washer
8X



3/8-16 x 1" BHCS
8X

TOOLS REQUIRED



7/32" Hex Wrench

To find information about caring for Tournesol products visit: <https://www.tournesol.com>



The bench and table surfaces are heavy, team lift recommended.

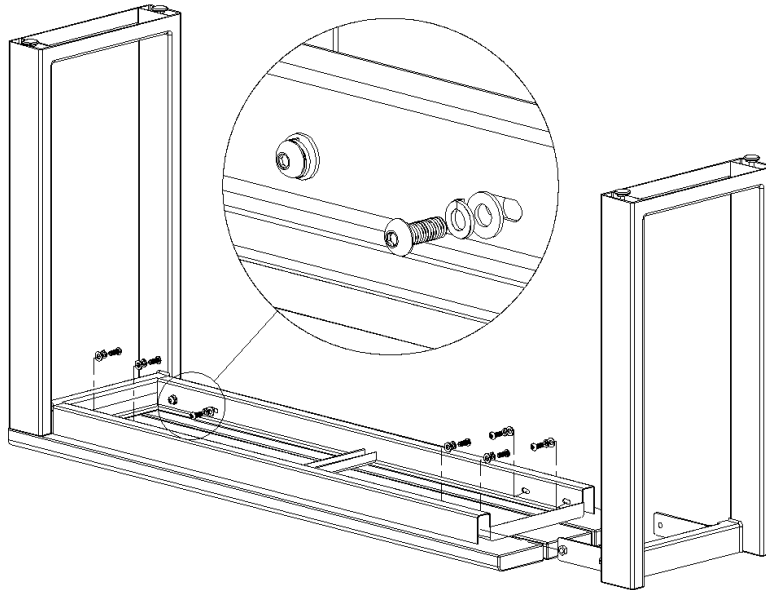
WILLARD TABLES & BENCHES

Installation / Assembly Instructions



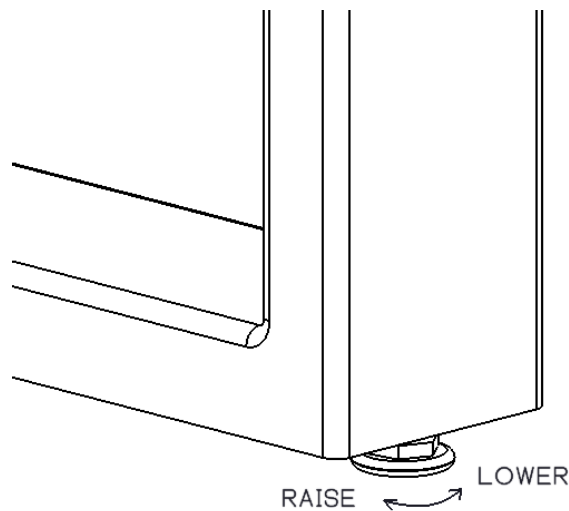
1. Attach Legs

Place bench or table surface upside down on a clean surface. Fully insert legs into frame openings and install fasteners finger tight as shown. Square up legs and tighten screws with 7/32" hex wrench. If Anchor Kit (WT-AKIT) is required, proceed to STEP 3. Otherwise, rotate the complete bench/table onto its leveling feet.



2. Level

Place in desired location and adjust levelers.



Assembly complete (Optional accessory instructions on the following pages).

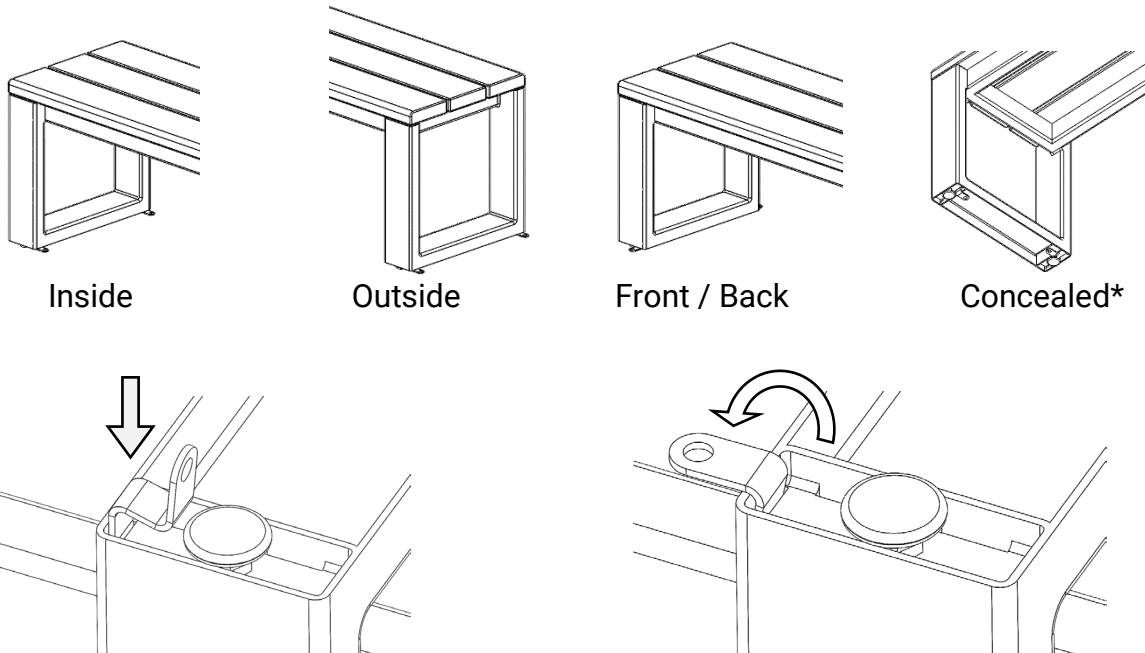
WILLARD TABLES & BENCHES Installation / Assembly Instructions



3. Optional Anchor Kit (WT-AKIT)

Determine anchor point locations; inside, outside, front, back or concealed.* Insert tab of the anchor bracket and rotate into position as shown below. **Important:** For front, back and concealed anchoring remove levelers prior to bracket installation. Replace the leveler after the bracket is inserted. Place bench or table and mark holes. Move aside and drill holes per manufacturer's recommendation (Anchor bolts not provided). Replace bench or table and secure to anchors.

Anchoring Options



* Concealed anchoring requires the use of bolts slipped through the anchor tab and placement into epoxy filled holes. This permanent method may result in damage to the product upon removal.

WILLARD TABLES & BENCHES Installation / Assembly Instructions



4. Optional Joining Kit (WT-JKIT)

With benches or tables placed, leveled, and anchored (if necessary) attach the joining plates as shown and partially secure screws. Make final alignment and tighten all screws.

HARDWARE INCLUDED



Joining Plate
2X

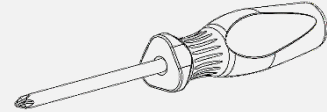


#14 X 1-1/4" SS PHIL
8X



Washer, 1/4" SS
8X

TOOLS REQUIRED



Screwdriver

