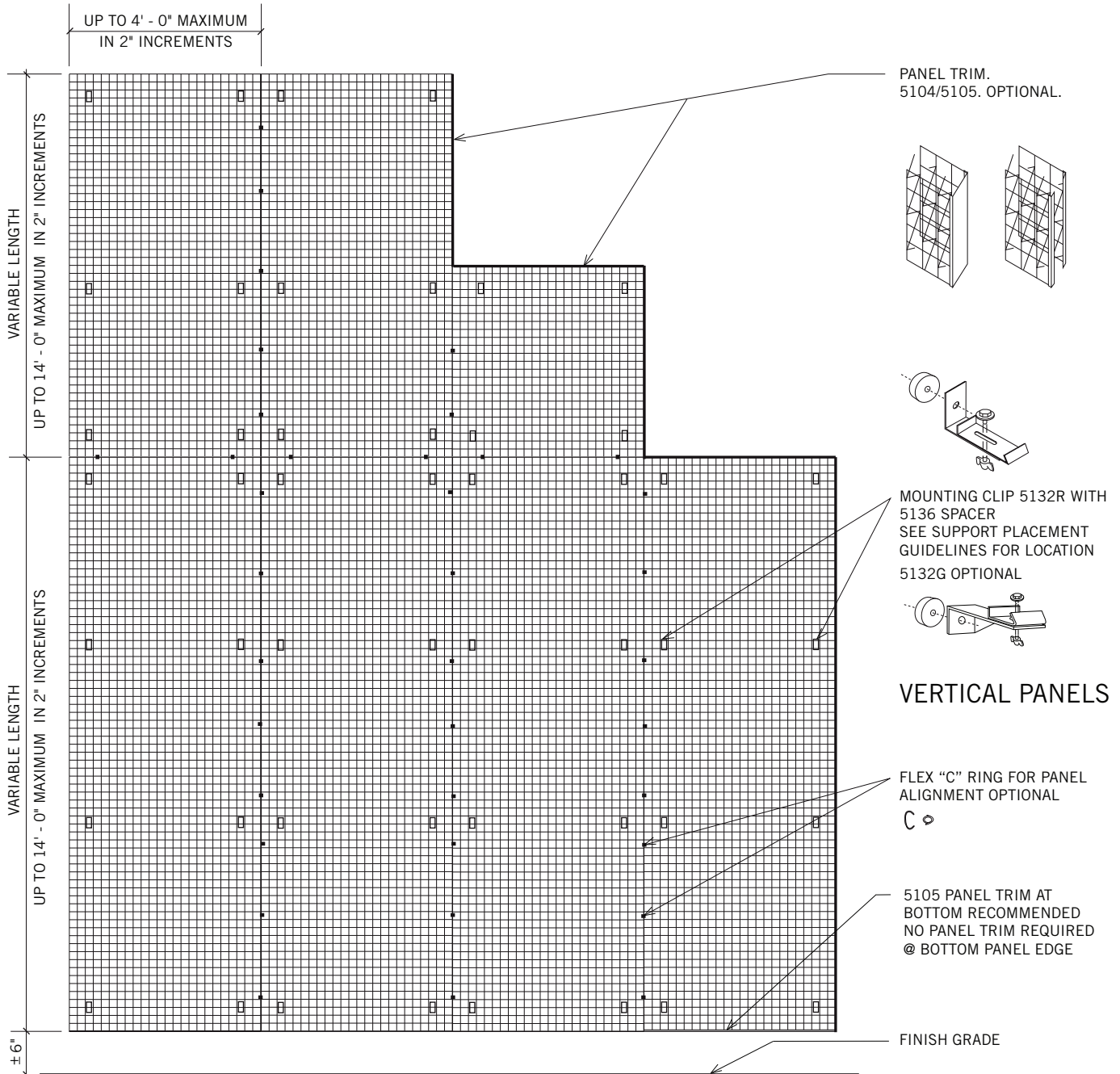
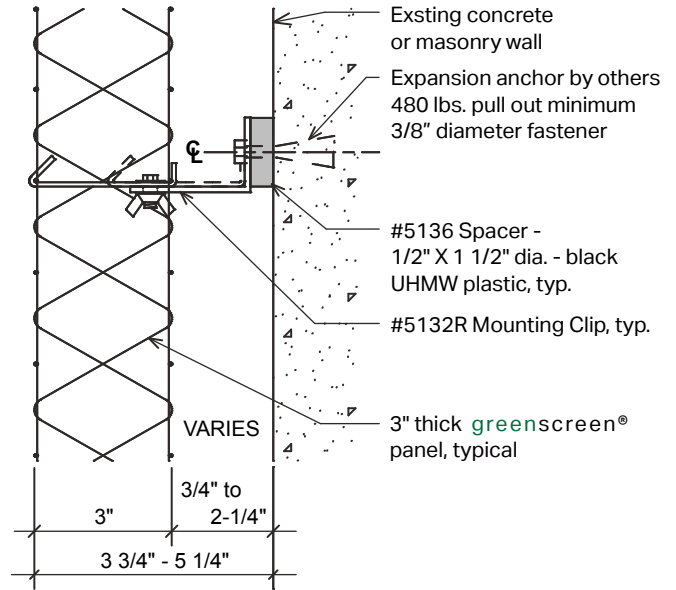
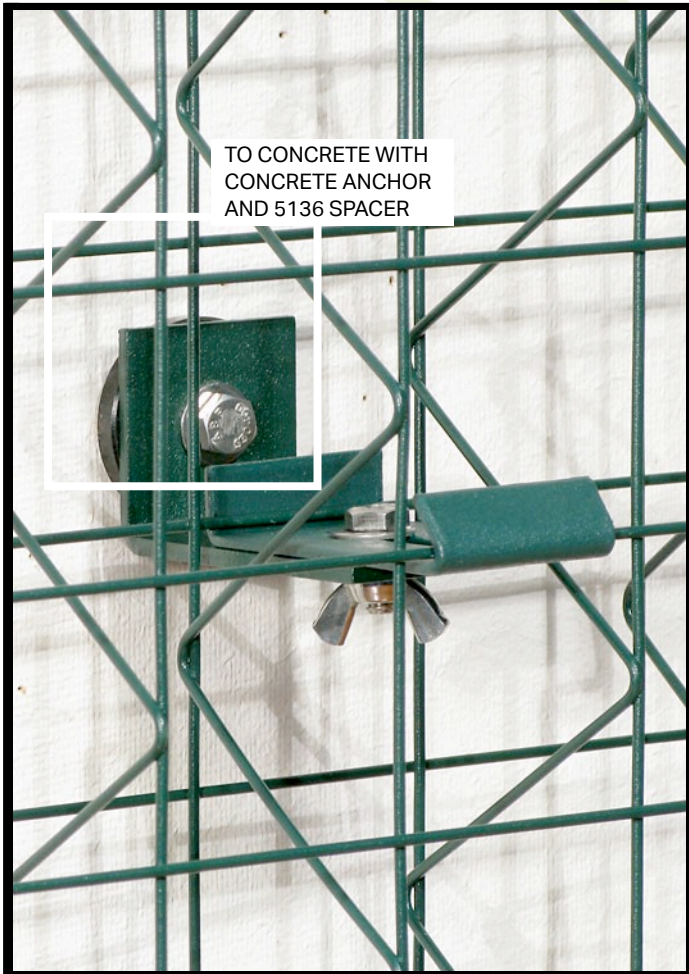


mounting options

Wall Mounted

This example showing multiple modular panels in a wall hung application references typical trims and clips from our Accessory Items list. Combine custom screen sizes and profiles for your own unique **greenscreen®**.

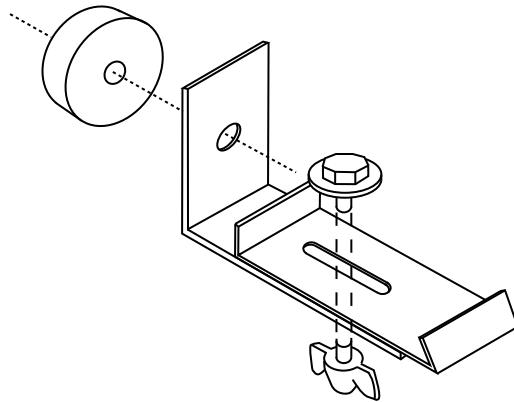




SECTION

5132R ADJUSTABLE CLIP

The 5132R Adjustable Clip provides panel support for both download and uplift. The clip can mount to wall surfaces or to a steel frame. The slot allows for panel adjustment and ease of installation.

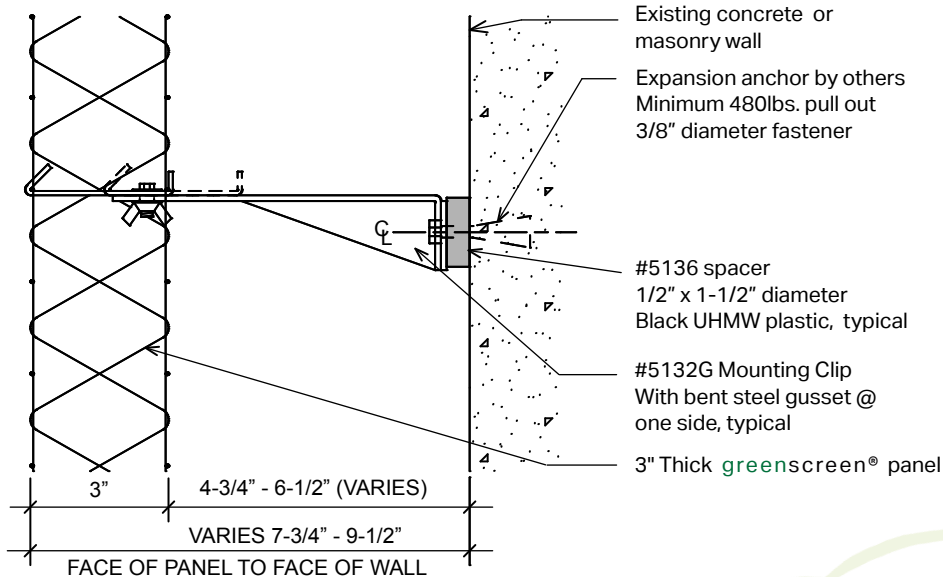
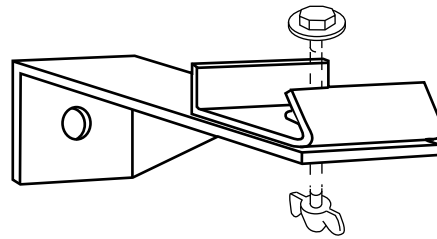


greenscreen[®]



5132G ADJUSTABLE CLIP

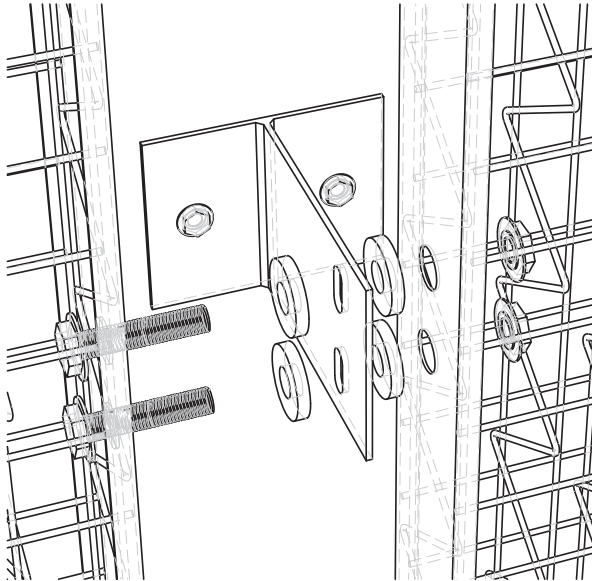
The 5132G Adjustable Clip provides panel support for both download and uplift. The clip can mount to wall surfaces or to a steel frame. The slot allows for panel adjustment and ease of installation. Maximum bracket extension is 9-1/2" to outside of panel.



SECTION

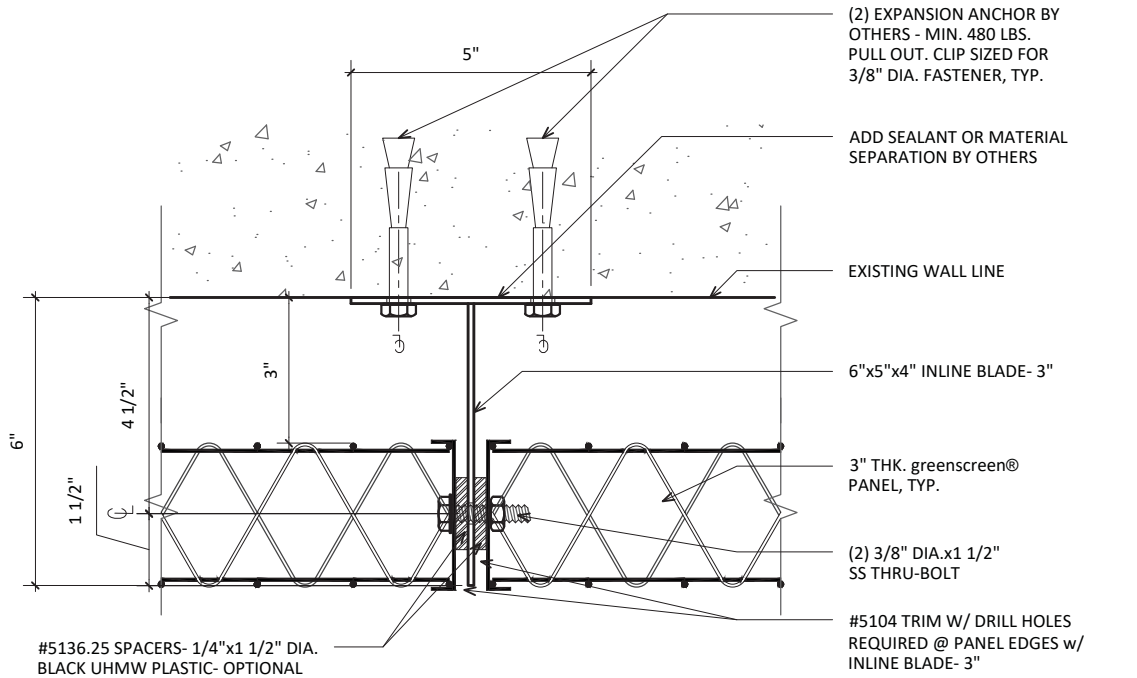


greenscreen®

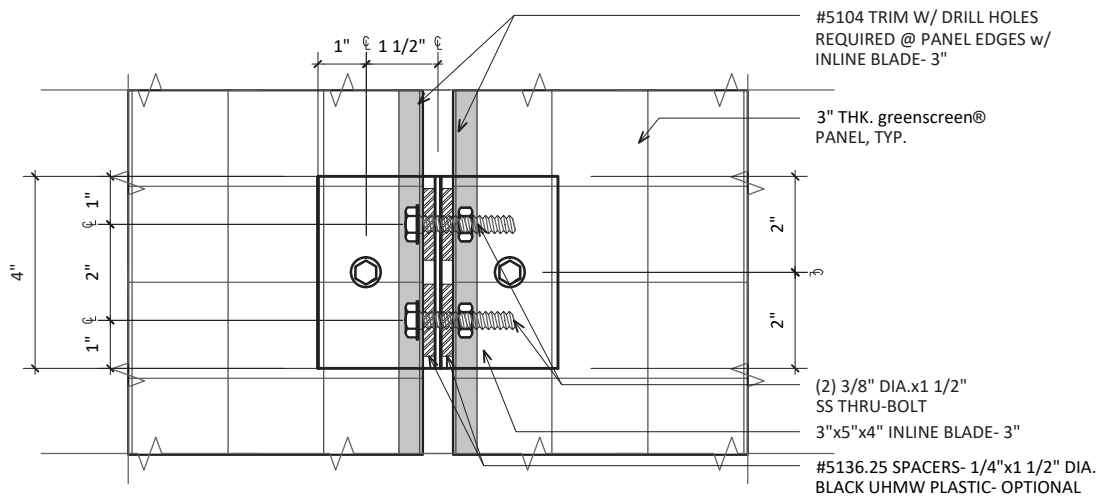


INLINE BLADE CLIP

Provide support for both download and uplift. It can be mounted to wall surfaces or to a steel frame. Standard size in 6" in length. The slot allows for panel vertical adjustment and ease of installation. Also available in 3" & 9".



PLAN



ELEVATION

accessories

Our Accessory Items list will provide your project with the necessary edge trims, mounting and joining clips, straps, posts, and caps to match your specified finishes with maximum flexibility.

Size:

½" leg x 3¼" wide x ½" leg

Materials:

20 gauge galvanized steel

Colors:

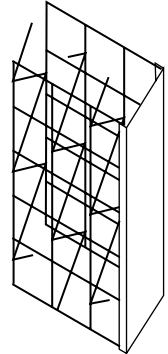
- ~ green
- ~ black
- ~ silver
- ~ bronze
- ~ white

Used as a closure strip at edges of **greenscreen®** panels. Recommended on panel edges adjacent to pedestrian traffic or where edge reinforcement for plant maintenance is desired. Not recommended at bottom edge of panel to prevent pooling of water.



5104

Steel Channel Trim



Size:

½" leg x ½" leg

Materials:

20 gauge galvanized steel

Colors:

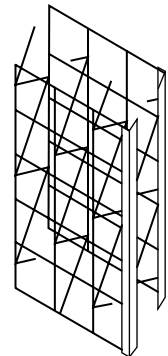
- ~ green
- ~ black
- ~ silver
- ~ bronze
- ~ white

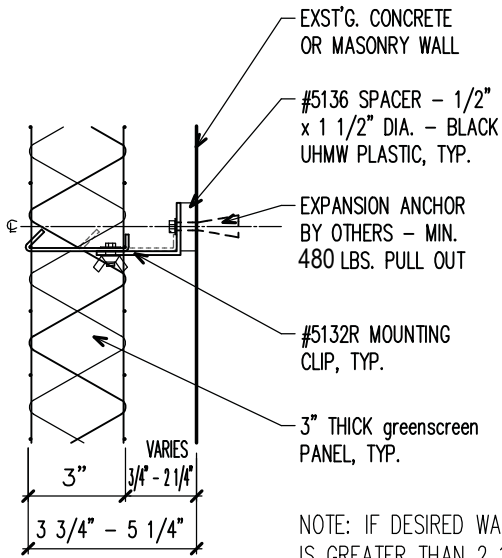
Used as closure strip at edges of **greenscreen®** panels. Recommended on panel edges adjacent to pedestrian traffic or where edge reinforcement for plant maintenance is desired.



5105

Steel Edge Trim





NOTE: IF DESIRED WALL OFFSET IS GREATER THAN 2 1/4", SEE #5132G CLIP OR #5159 STAND-OFF BRACKET FOR MOUNTING OPTIONS.

WALL MOUNTING INSTRUCTIONS:

- STEP 1:
USING A LEVEL, TEMPORARILY HOLD THE PANEL IN PLACE AND MARK THE CORNER LOCATIONS ON THE WALL.
- STEP 2:
HOLDING THE MOUNTING CLIPS AT THE DESIRED LOCATION ON THE PANEL, MEASURE THE EXACT DISTANCE OF THE SCREW HOLES TO THE CORNERS. USING YOUR CORNER MARKS FROM STEP #1, CARRY OVER THE NEW DIMENSIONS AND REFERENCE THE SCREW HOLE LOCATIONS ON YOUR WALL.

- STEP 3:
DEPENDING ON THE SUBSTRATE, PRE-DRILL HOLES FOR MOUNTING CLIPS. FOR CONCRETE AND MASONRY WALLS, SET EXPANSION ANCHORS, AND THEN MOUNT CLIPS TO WALL. ANCHORS SHOULD HAVE A 550LB. MIN. PULL-OUT VALUE.

- STEP 4:
HANG THE greenscreen® PANEL ON THE CLIPS.

- STEP 5:
REPEAT STEPS 1-4 AS NEEDED. PRE-INSTALLING ALL CLIPS IS NOT RECOMMENDED DUE TO PANEL GROWTH. PANEL SIZES ARE NOMINAL - ACTUAL PANEL SIZE MAY VARY +1/8" IN WIDTH AND LENGTH. ADD +1/16" PER EDGE OF TRIM.

- STEP 6:
REFER TO greenscreen® "VINE PLANTING DETAIL" FOR VINE ATTACHMENT AND PLANTING GUIDELINES.

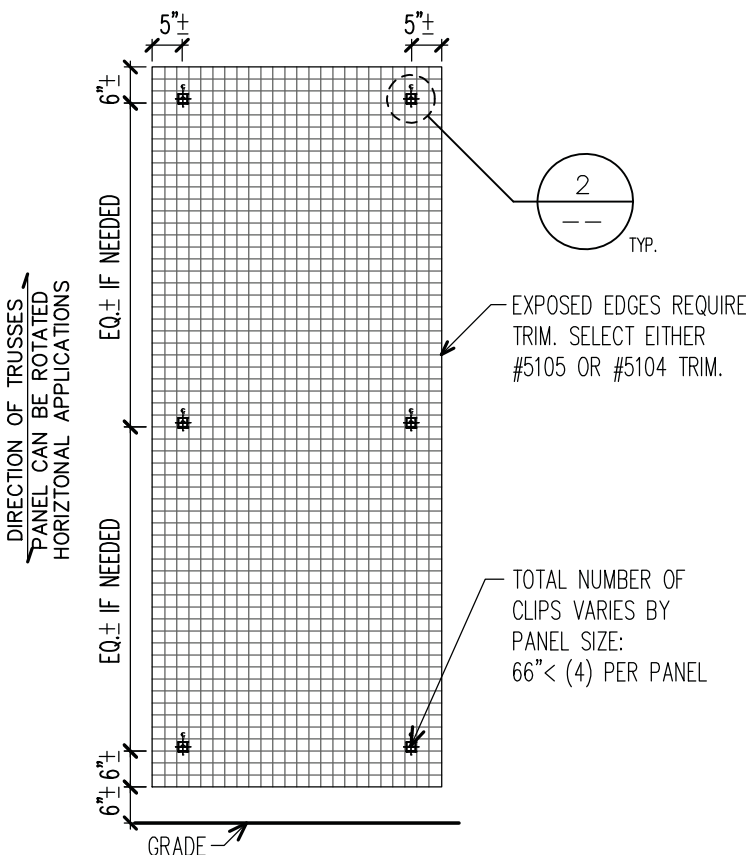
RECOMMENDATIONS:

- MOUNT PANELS 6" ABOVE FINISHED GRADE, OR PER SHOP DRAWINGS.
- ON STUCCO WALLS, ADJUST CLIP LOCATIONS SO THAT ALL CLIPS SCREW DIRECTLY INTO FRAMING MEMBERS OF THE WALL.
- WEAR GLOVES WHEN HANDLING greenscreen® PANELS.
- greenscreen® DOES NOT RECOMMEND CUTTING PANELS IN THE FIELD. IF IT IS NECESSARY, HOWEVER, USE TOUCH-UP PAINT.

#5132R MOUNTING CLIP WALL MOUNTED – SECTION

2

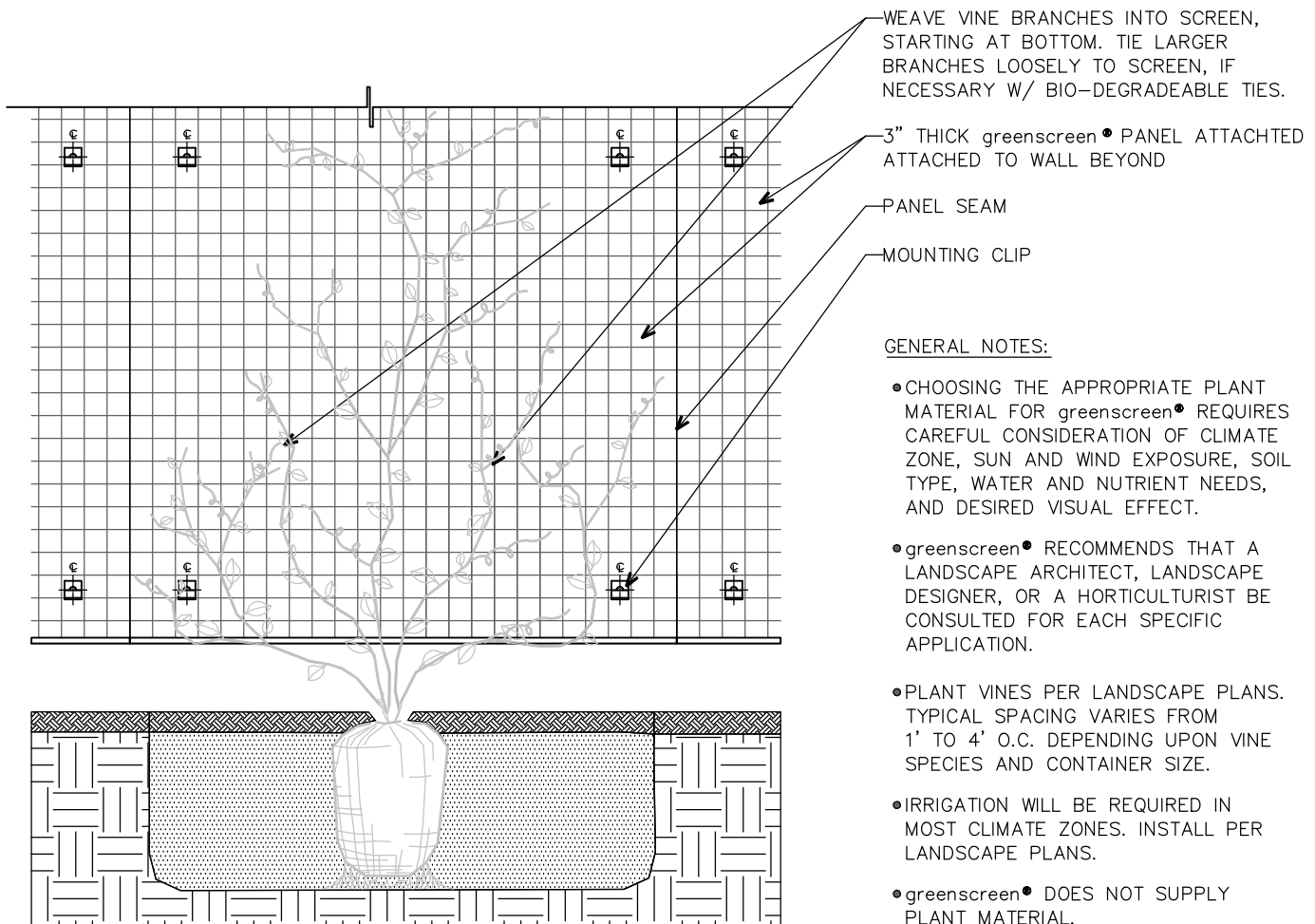
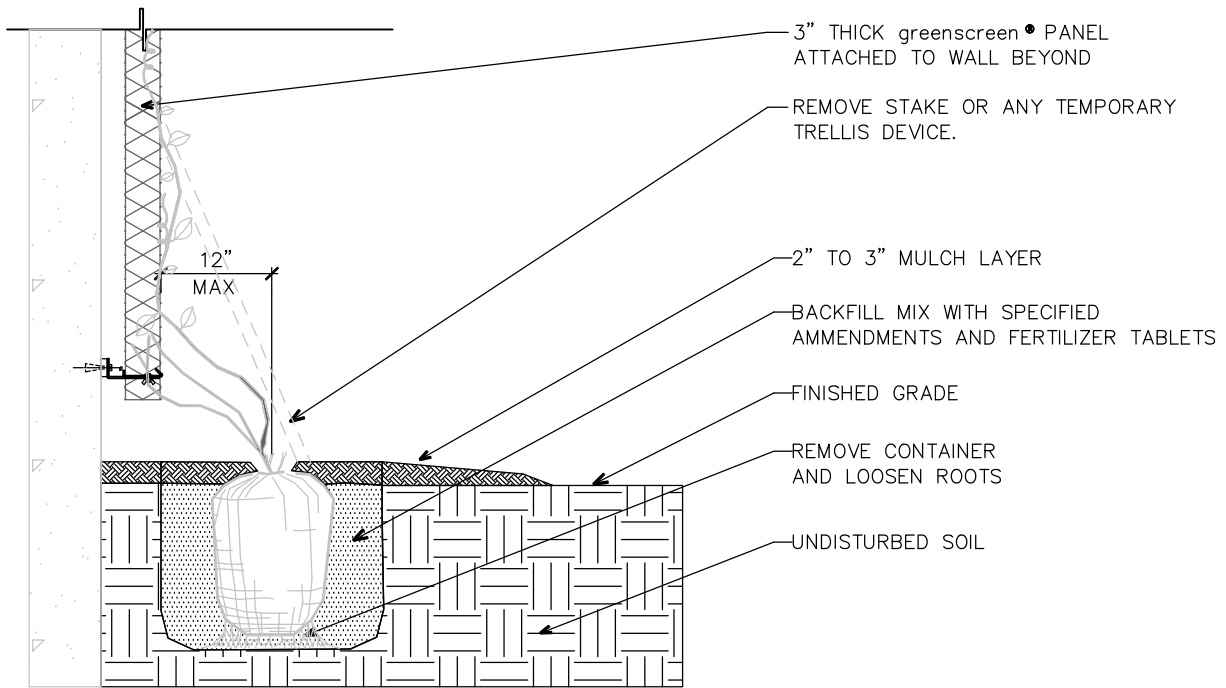
SCALE = 2": 1'-0"



ELEVATION

1

SCALE = 3/8": 1'-0"



greenscreen® VINE PLANTING DETAIL

SECTION AND ELEVATION – TYPICAL FOR WALL MOUNTED APPLICATION
 DETAIL SIMILAR FOR POST MOUNTED PANELS.

SCALE = 3/4": 1'-0"