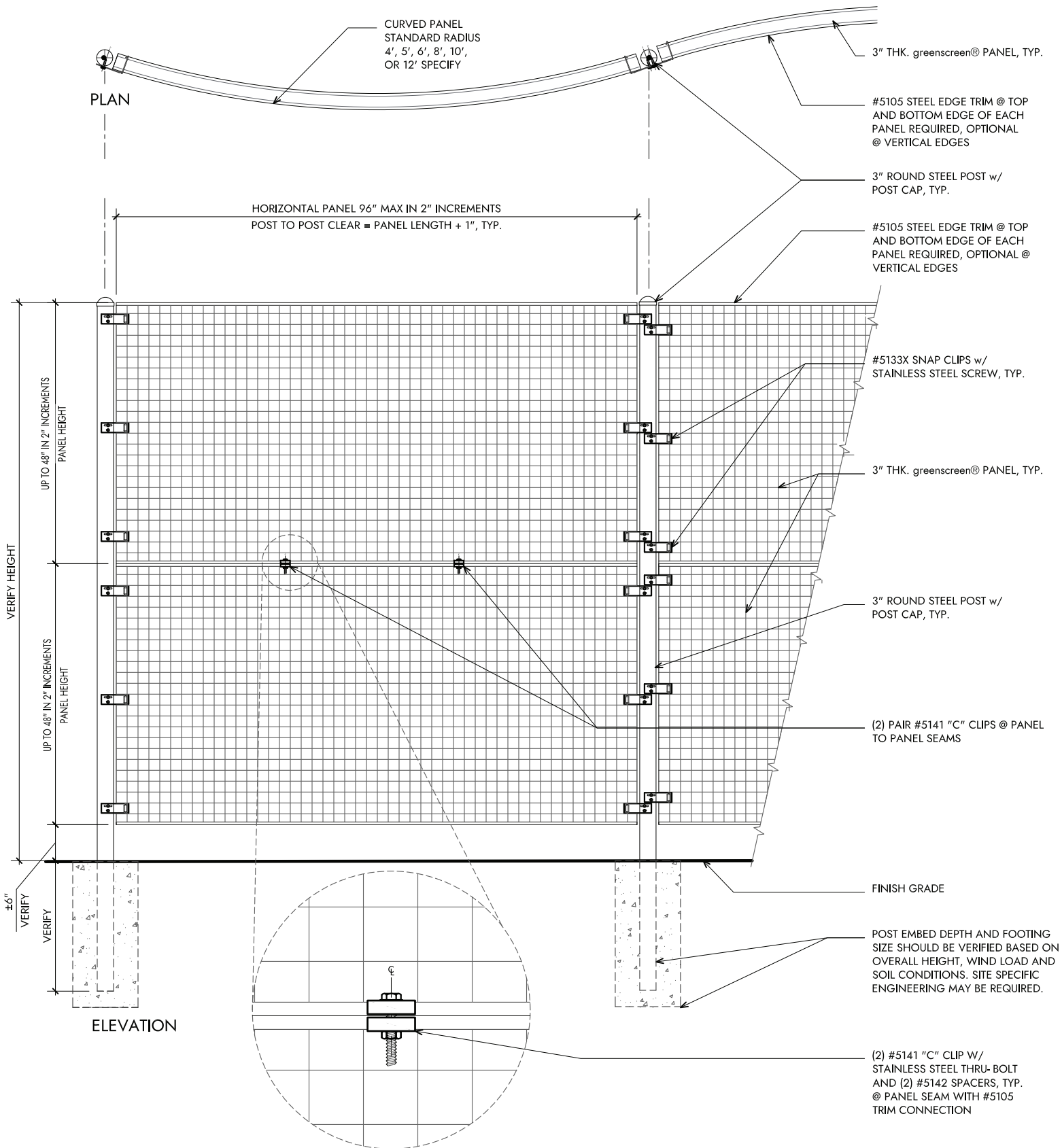




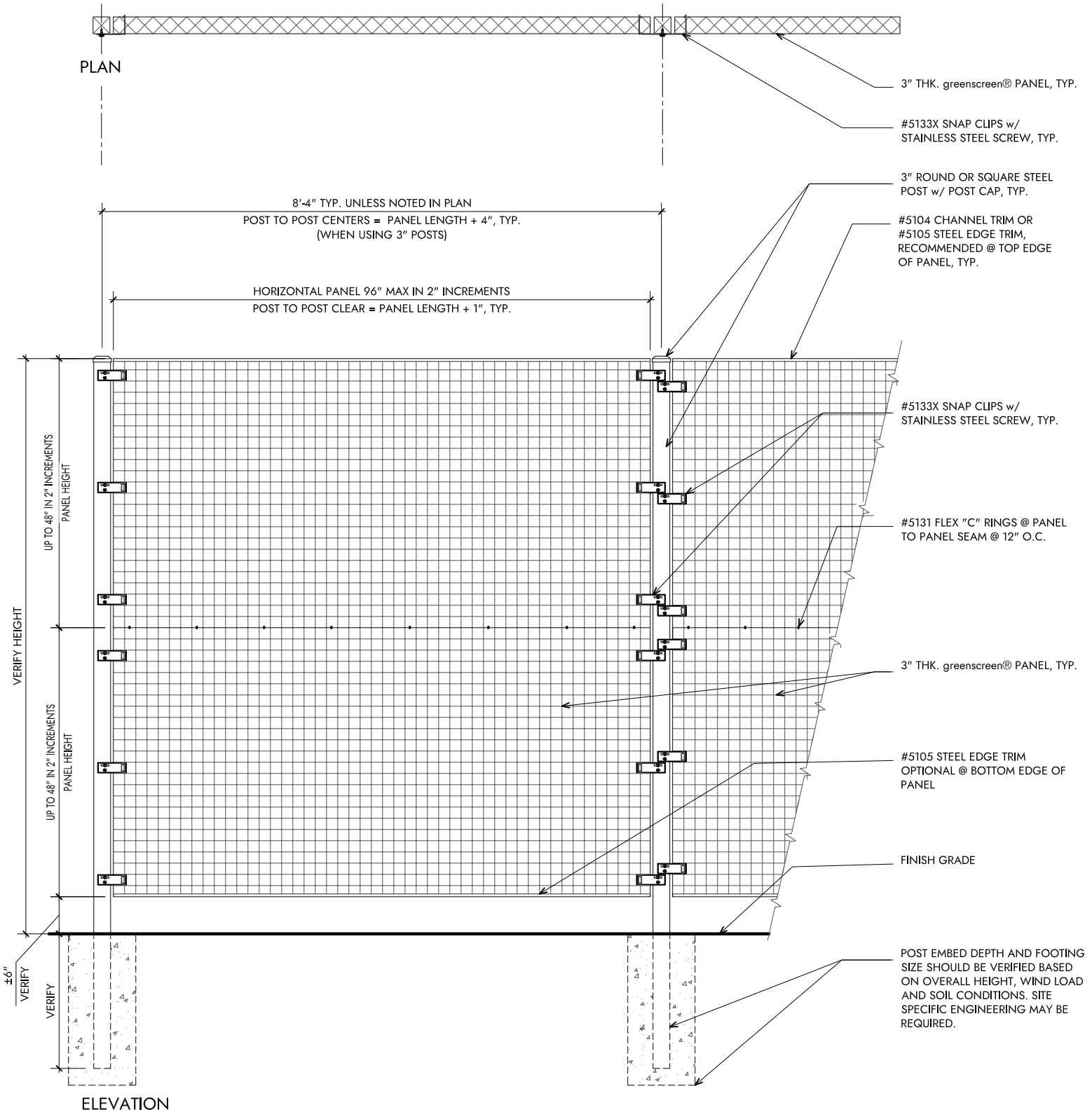
# Post Mounted Collection

## Freestanding Curved



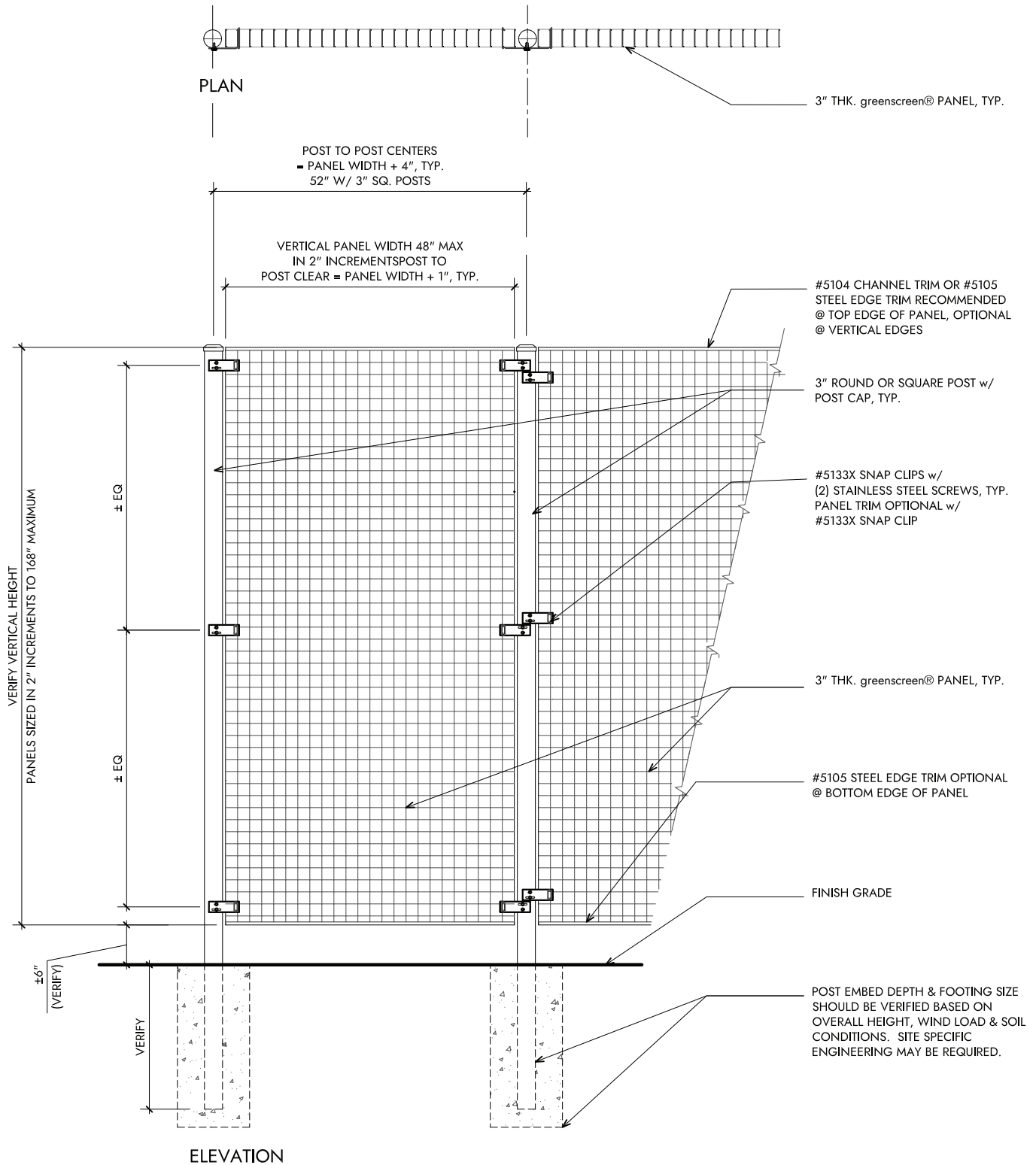
# g Post Mounted Collection

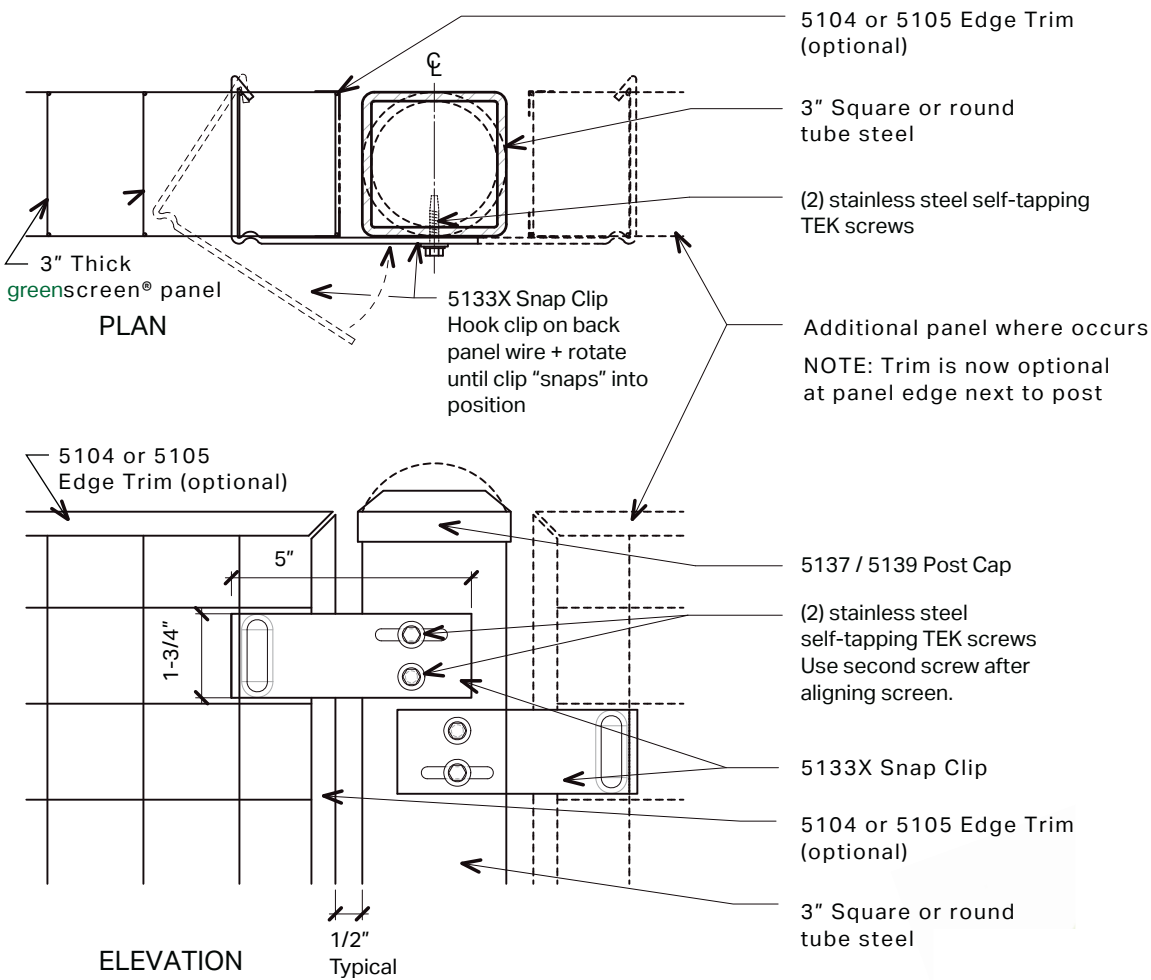
## Freestanding Horizontal



# g Post Mounted Collection

## Freestanding Vertical





**5133X SNAP CLIP**

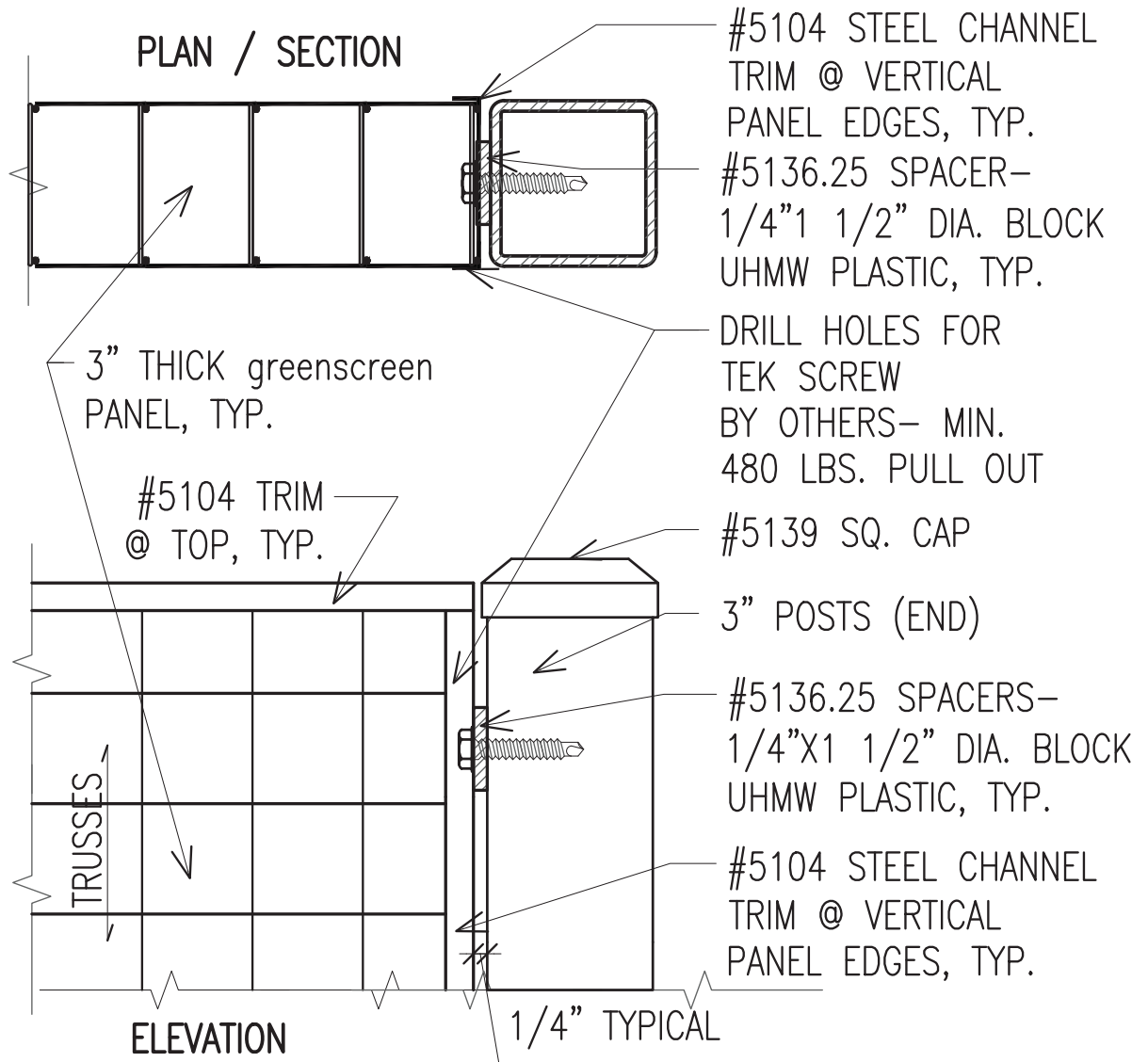
The greenscreen® 5133X Snap Clip can mount to round or square posts and is used without edge trim. Access to only one side of the panel is necessary. For multiple side-by-side applications the clips can be staggered. Mounting holes are for 1/4" diameter self-tapping screws.



**SNAP CLIP TO SQUARE POST**



**greenscreen®**



## TEK SCREW— STL MOUNTED

# accessories

**Steel Posts:** Used for freestanding modular screens and fences. Available square or round in 1" incremental lengths.

**Size:**  
3" square or 3" diameter round and up to 16' maximum length

**Materials:** Steel  
Square: ASTM A-500B 3/16" thick  
Round: ASTM A-1101 .111" thick  
(Nominal 2-7/8")

**Colors:**

- ~ green
- ~ black
- ~ silver
- ~ bronze
- ~ white

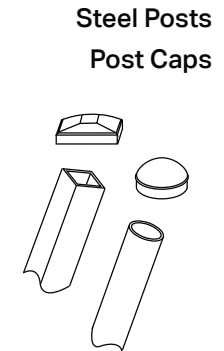
**Post Caps:** Available to fit round or square posts.

**Size:**  
Round cap: 3½" diameter o.d.  
Square: 3¼" x 3¼"

**Materials:**  
Round cap is die cast steel.  
Square is stamped steel.

**Colors:**

- ~ green
- ~ black
- ~ silver
- ~ bronze
- ~ white

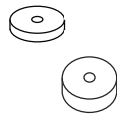


**5136/5136.25 Round Spacer:** Used for spacing mounting clips away from porous mounting surface.

**Size:**  
½" or ¼" thick x 1½" diameter.  
With 7/16" hole.

**Materials:**  
UHMW High density,  
Recycled non UV degradable plastic

**Color:** black

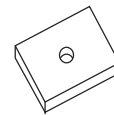


**5142 Spacer:** Used for spacing mounting clips away from wall or floor surface.

**Size:**  
½" thick x 2⅝" x 1¾" with 7/16" hole

**Materials:**  
UHMW High density,  
Recycled non UV degradable plastic

**Color:** black



**5131 Flex "C" Ring:** Used for "in-field" aligning greenscreen® panels edge to edge (without trim.)

**Size:**  
Approximately 5/16" diameter

**Materials:**  
16 gauge galvanized steel

**Color:** galvanized



# accessories

Our Accessory Items list will provide your project with the necessary edge trims, mounting and joining clips, straps, posts, and caps to match your specified finishes with maximum flexibility.

**Size:**

½" leg x 3¼" wide x ½" leg

**Materials:**

20 gauge galvanized steel

**Colors:**

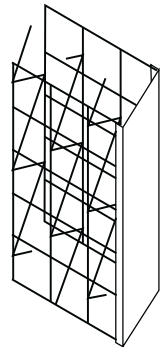
- ~ green
- ~ black
- ~ silver
- ~ bronze
- ~ white

Used as a closure strip at edges of **greenscreen®** panels. Recommended on panel edges adjacent to pedestrian traffic or where edge reinforcement for plant maintenance is desired. Not recommended at bottom edge of panel to prevent pooling of water.



## 5104

Steel Channel Trim



**Size:**

½" leg x ½" leg

**Materials:**

20 gauge galvanized steel

**Colors:**

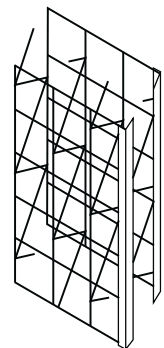
- ~ green
- ~ black
- ~ silver
- ~ bronze
- ~ white

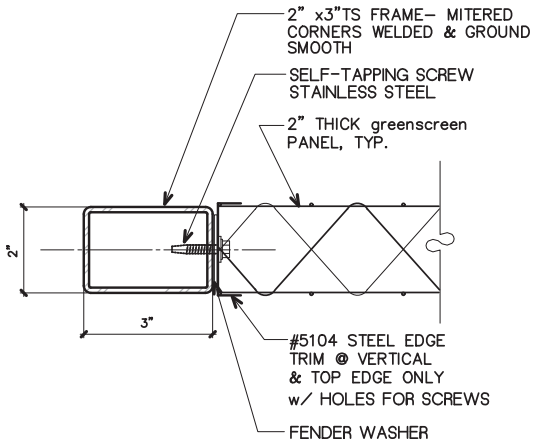
Used as closure strip at edges of **greenscreen®** panels. Recommended on panel edges adjacent to pedestrian traffic or where edge reinforcement for plant maintenance is desired.



## 5105

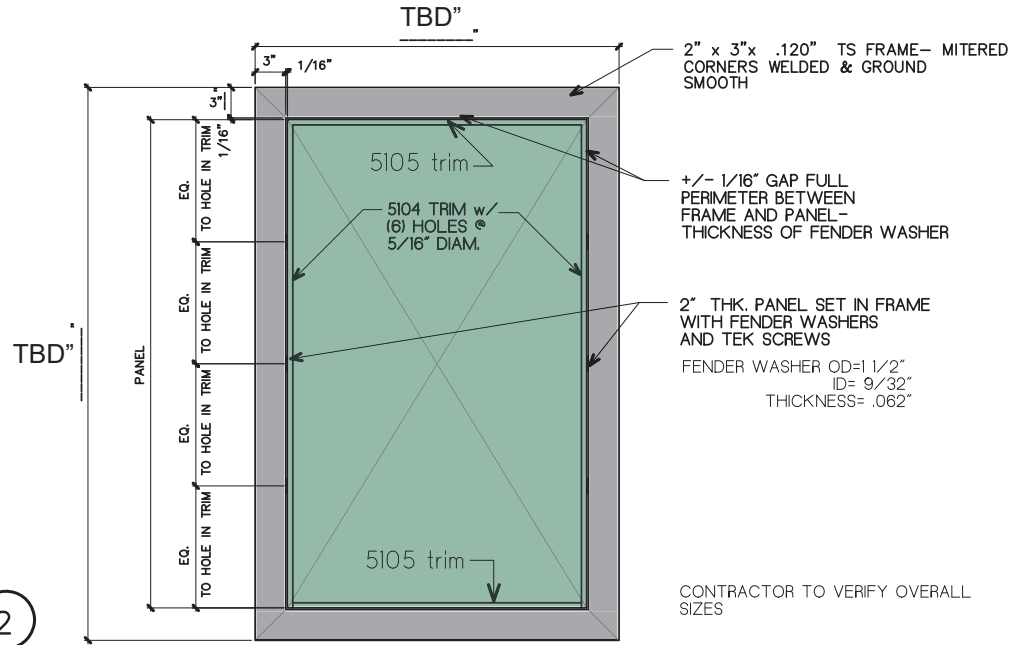
Steel Edge Trim





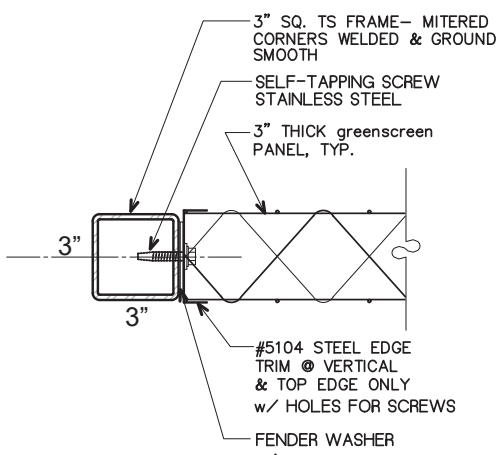
**#5104 TRIM / DOOR DET.**

2" OPTIONAL N.T.S. ②



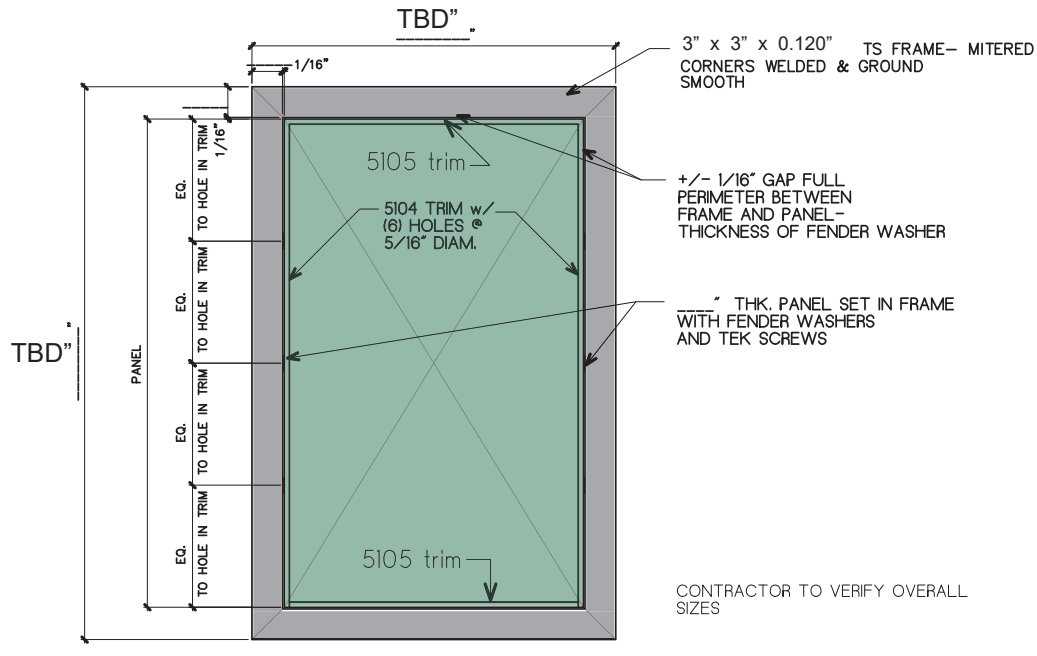
**TS FRAME & PANEL INFILL**

N.T.S. ①



**#5104 TRIM / DOOR DET.**

3" OPTIONAL N.T.S. ②



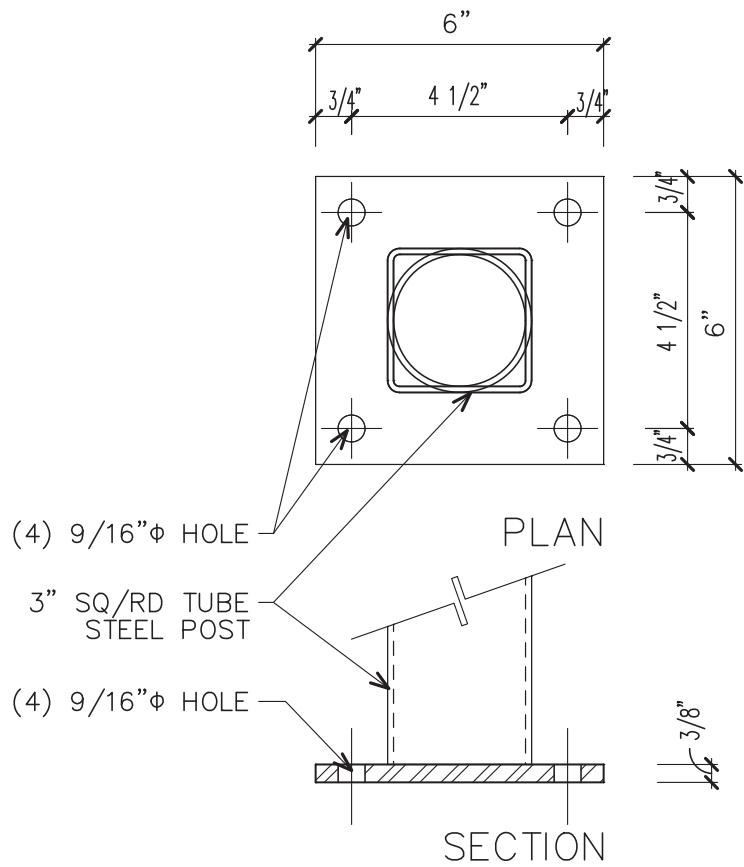
**TS FRAME & PANEL INFILL**

N.T.S. ①

CONTRACTOR TO VERIFY OVERALL SIZES

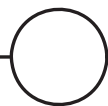
CONTRACTOR TO VERIFY OVERALL SIZES



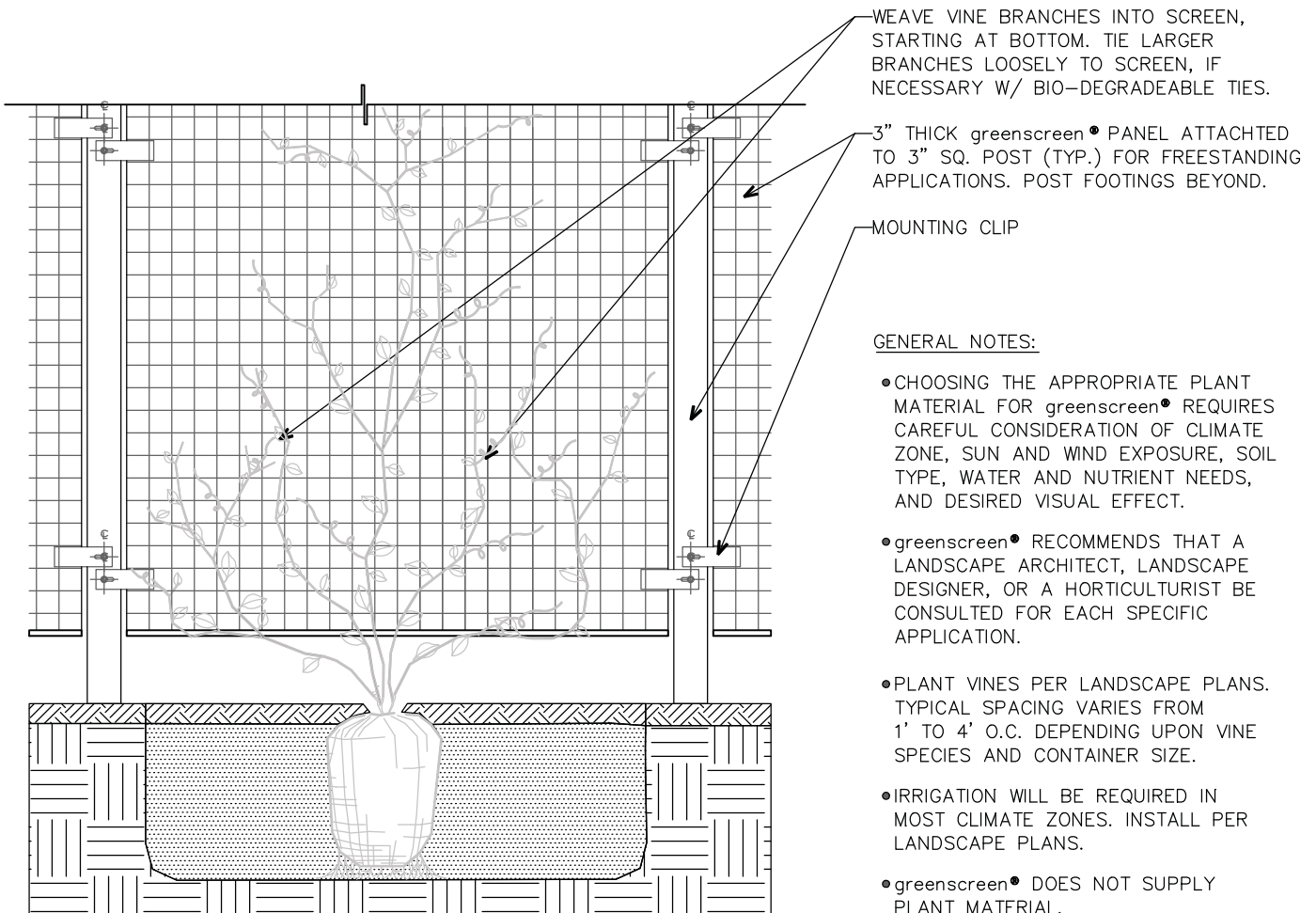
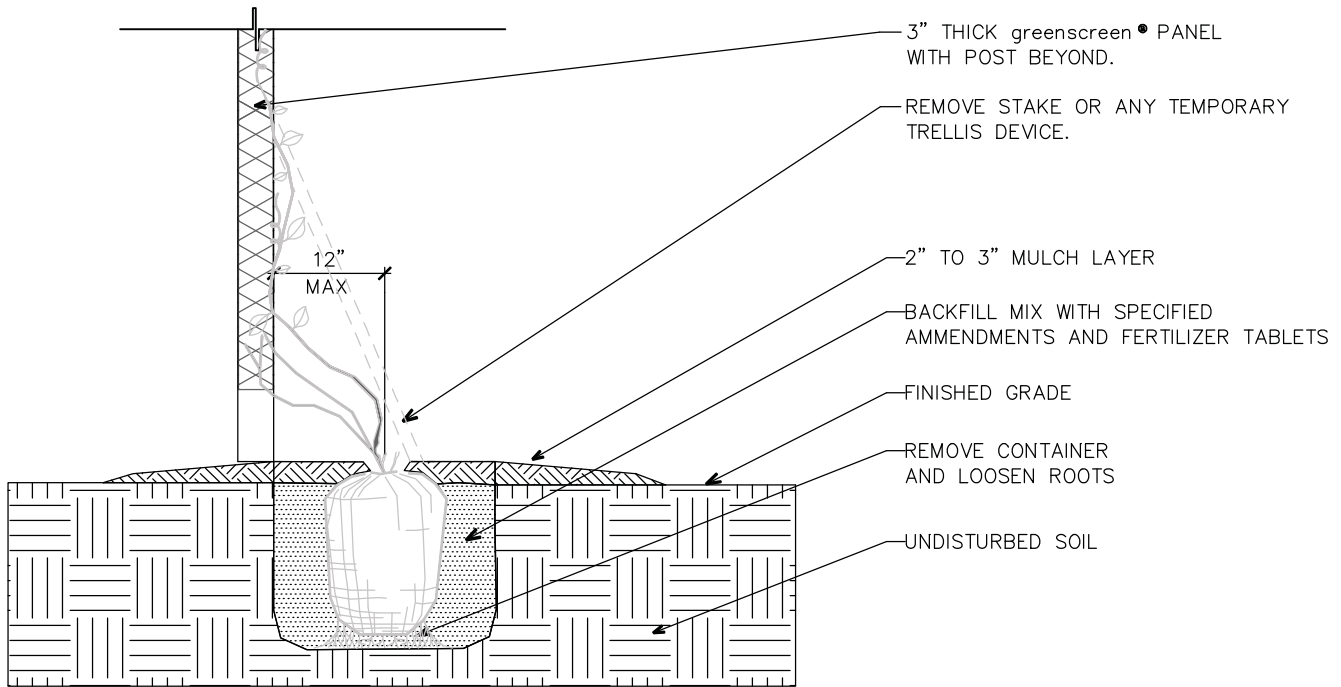


# 6"x6"x3/8" BASE PLATE \*

SCALE = 3": 1'-0"



\* Project engineer should specify base plate design based on wind loads, overall height and local building codes. Most engineers consider the panel solid when fully loaded with mature plant material.  
 \* 8" x 8" x 1/2" and 6" x 6" x 3/8" base plates are carried in stock.  
 \* Custom size base plates are available upon request.



## greenscreen® VINE PLANTING DETAIL

SECTION AND ELEVATION – TYPICAL FOR POST MOUNTED APPLICATION, DETAIL SIMILAR FOR WALL MOUNTED PANELS.

SCALE = 3/4": 1'-0"