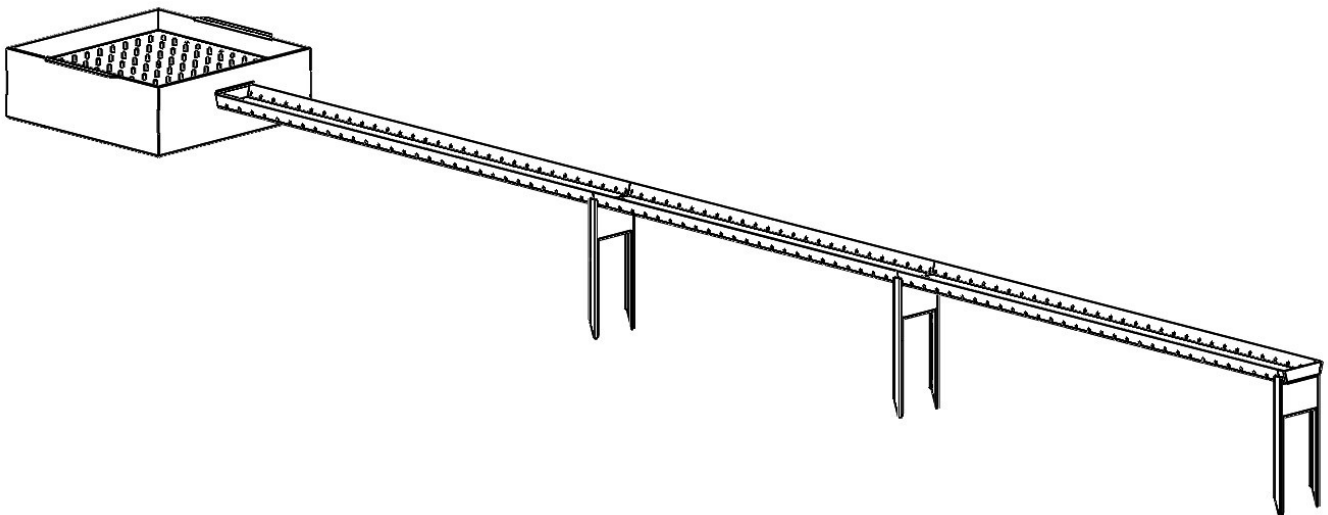


BIORETENTION:
Level Spreader Installation Instructions




PARTS/HARDWARE LIST	<i>Included</i>	NEEDED FOR INSTALLATION	<i>Not included</i>
Splash Box (18" or 24") Assembly & End Cap Level Spreader(s) and Support(s) Stainless Steel PPH Self-Drilling Screws, #8 x 1/2"L		Soil & Drainage Mix Bubble or Laser Level Hammer Cordless Driver with #2 Phillips Bit SikaFlex 1A Sealant (or equivalent)	

You can find information about caring for Tournesol products and materials by visiting: <https://tournesol.com/care> where you can download Care & Maintenance documents.



STEP 1 – Install Bioretention Planter (not shown)

Install Bioretention Planter with plumbing per instructions and fill with soil up to 2" to 4" from final topsoil level.

 Please ensure the 4" Cleanout Pipe Assembly is appropriately distanced from the planter wall (approximately 15" if using 24" Splash Box, or approximately 12" if using 18" Splash Box).

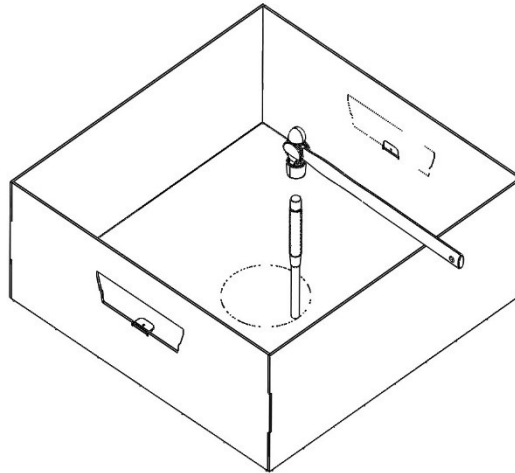
BIORETENTION:

Level Spreader Installation Instructions



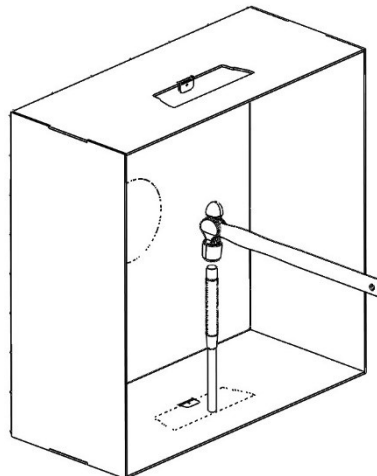
STEP 2 – Preparation for Clean-out installation, (if no Clean-out in Splash Box, proceed to step #3)

Place Splash Box on a flat compliant surface (wood or cardboard). Separate knockout tabs with a punch and hammer. Deburr sharp edges with a file.



STEP 3 – Preparation for in line Level Spreaders, (Splash Box centered with Level Spreaders on either side), (if Level Spreaders are only on one side, proceed to step #4)

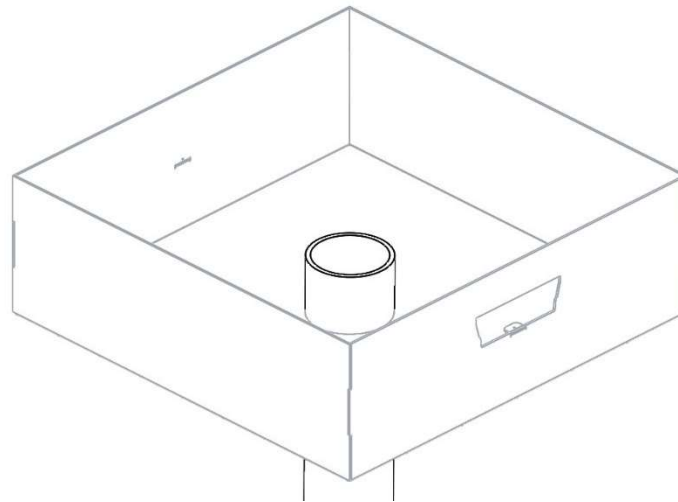
Place Splash Box on a flat compliant surface (wood or cardboard). Separate knockout tabs with a punch and hammer. Deburr sharp edges with a file.



STEP 3 – Prepare soil for Splash Box and Level Spreaders.

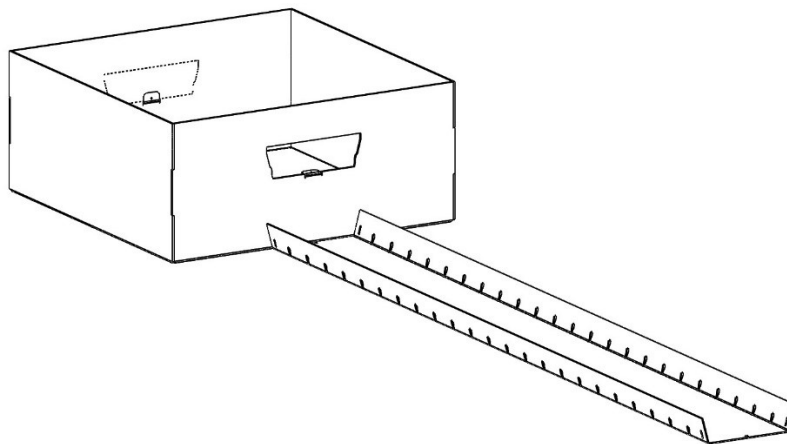
With soil 2” to 4” below final height, compact and level area for the Splash Box. If installing cleanout in splash box, align Splash Box hole with uncapped clean out pipe and lower to prepared surface, otherwise place the Splash Box in planter. Ensure the Splash Box is parallel with planter walls and level.

BIORETENTION:
Level Spreader Installation Instructions

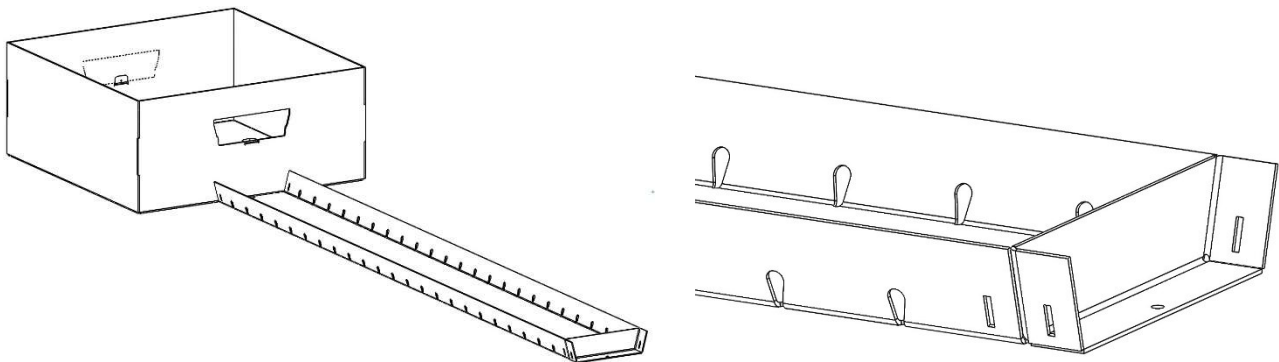


STEP 4 – Assemble Level Spreader

Place Level Spreader on the soil directly below the cutout (“backstop”). Add or remove soil until level.



Align the End Cap backwards as shown, with the end of the Level Spreader and hold in place.

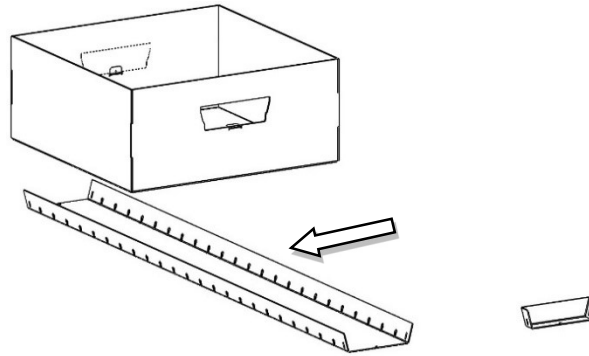


BIORETENTION:

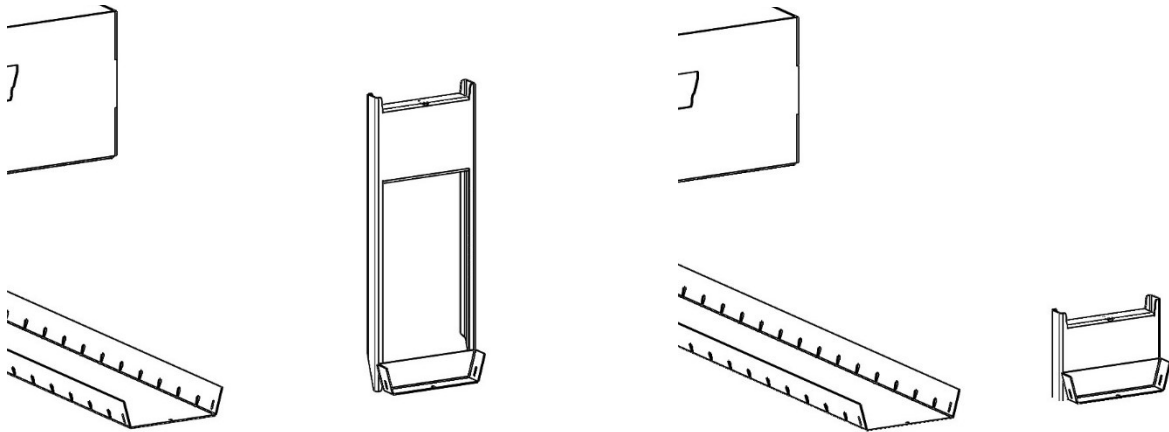
Level Spreader Installation Instructions



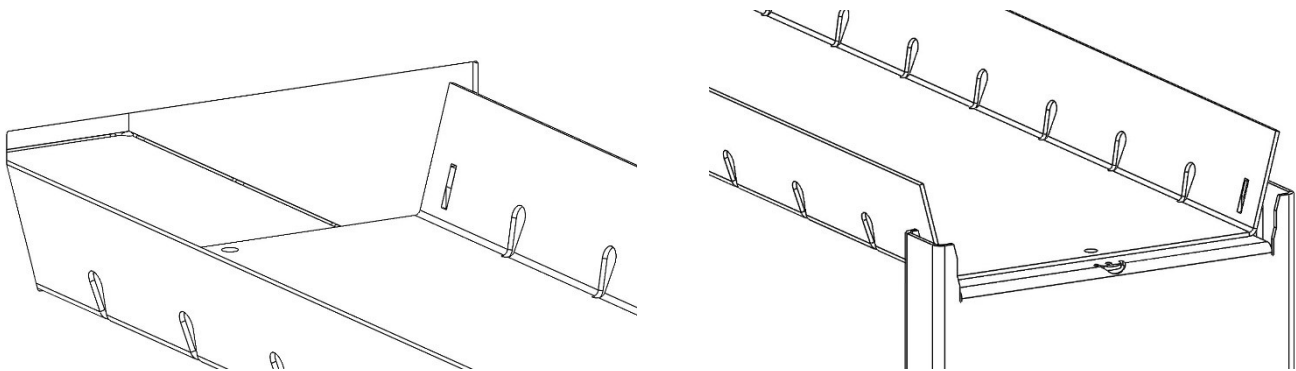
Carefully remove the Level Spreader so as not to disturb the End Cap and place it aside.



Align the forks of the Support with the inside of the End Cap and sink it into the soil until the base contacts the soil.



Install the Level Spreader into the Splash Box cutout, aligning the locating tabs. Rest the other end on the Spreader Support and align the locating tabs.



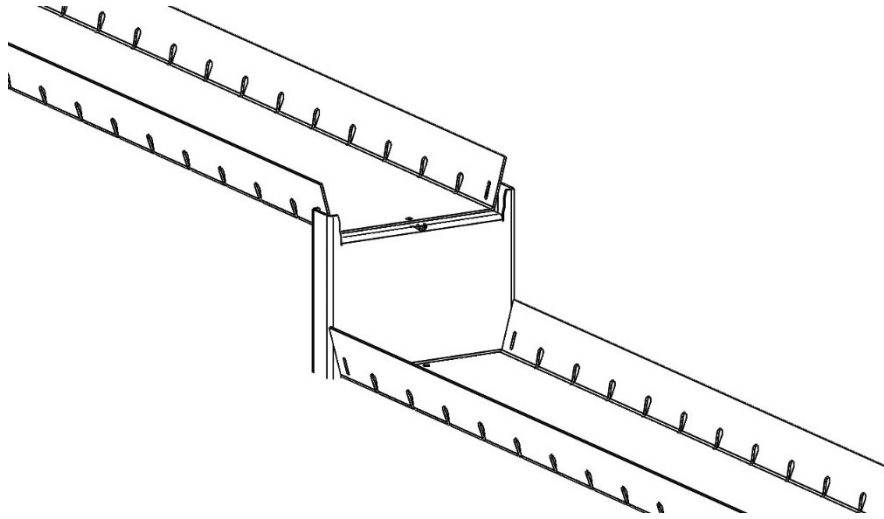
BIORETENTION:

Level Spreader Installation Instructions

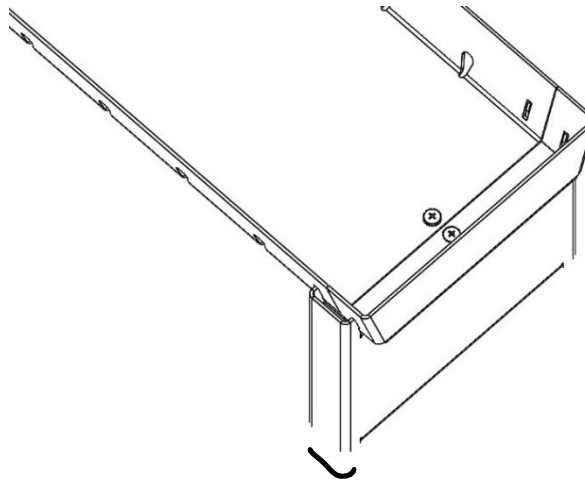


STEP 5 – Check the level of the Spreader.

Raise or lower the Spreader Support end as necessary. If installing additional Spreaders, repeat (Steps 4 and 5) using the Spreader Support as the “backstop”.



STEP 6 – Secure the End Cap and Spreader(s) to Supports and Splash Box with #8 x ½”L Screws provided.



STEP 7 – For best performance, apply sealant (not included) on the inside of the Splash Box around the Clean-out pipe.

STEP 8 – Backfill soil to desired level around Splash Box and under Level Spreaders. Complete.