

CUSTOMER INFORMATION

COMPANY NAME

CLIENT NAME

DATE

ORDER NUMBER

BENCH INFORMATION

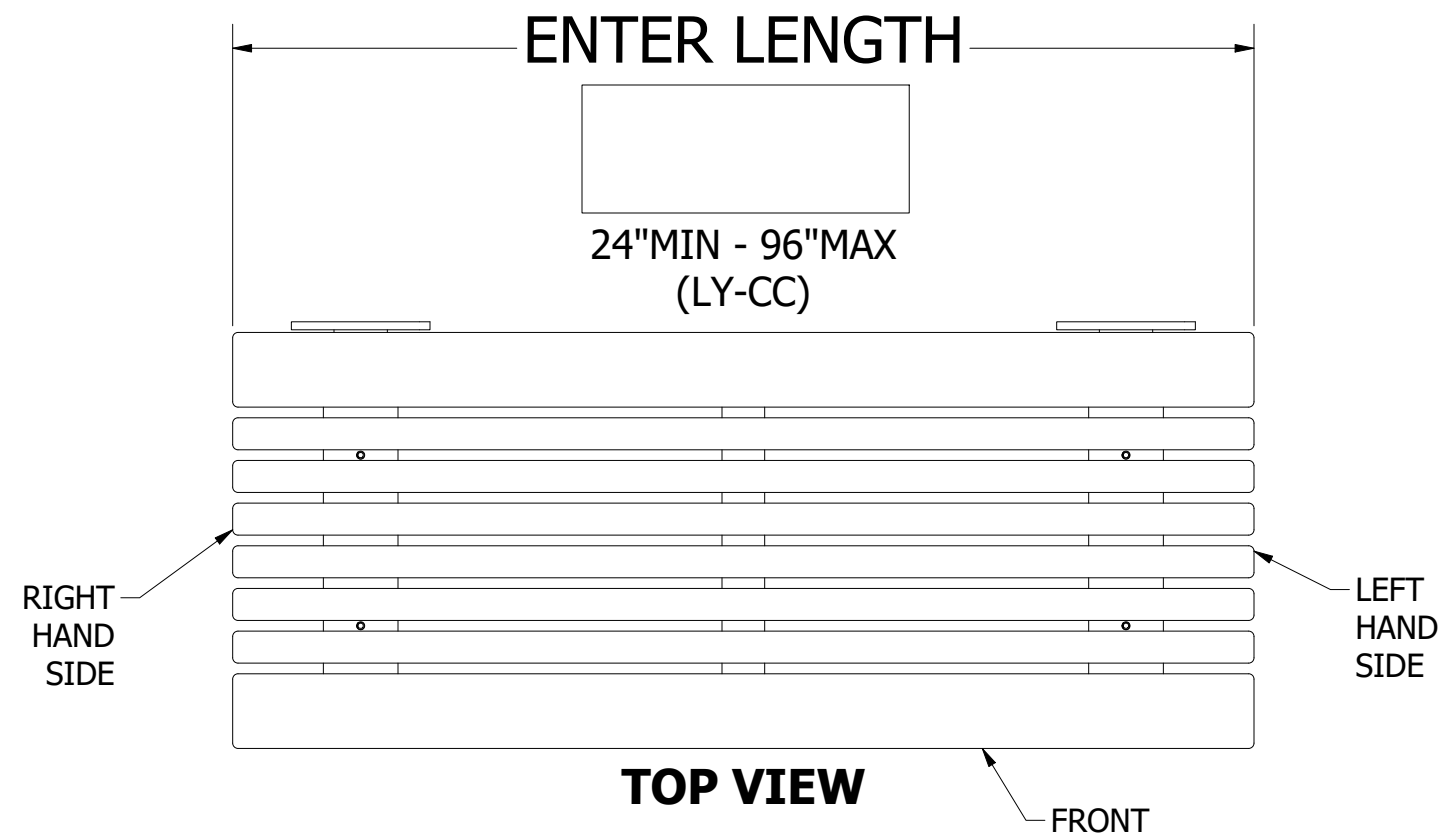
QUANTITY

WOOD SPECIES

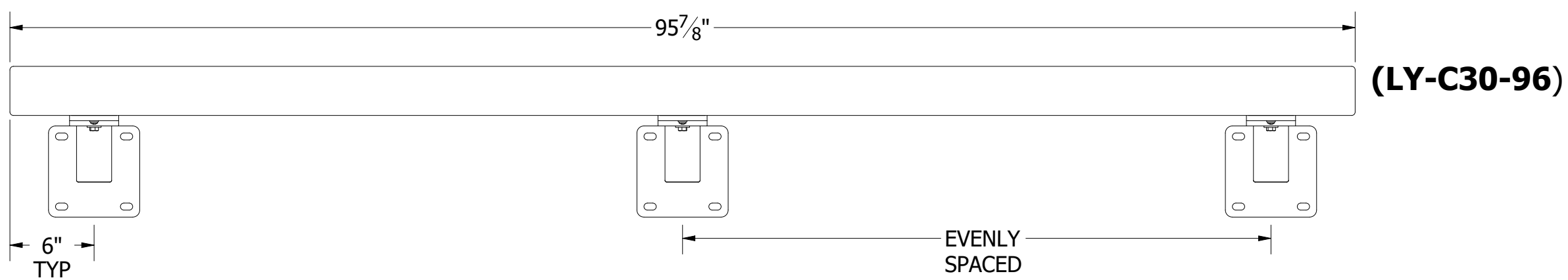
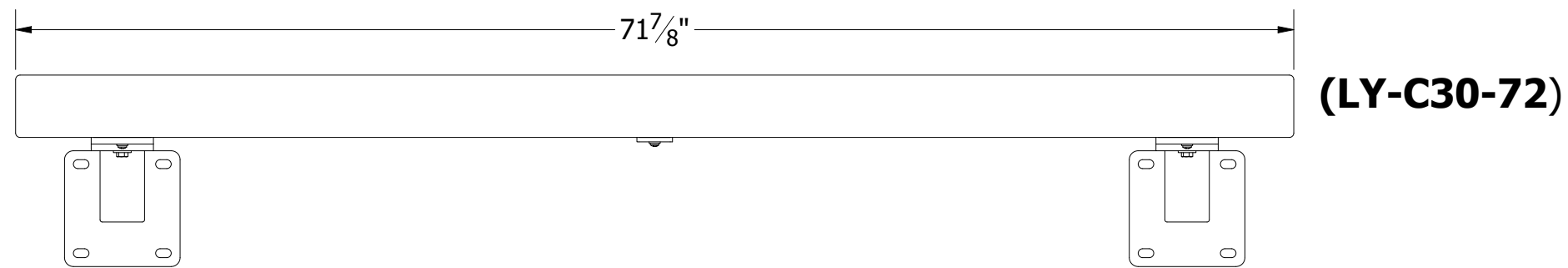
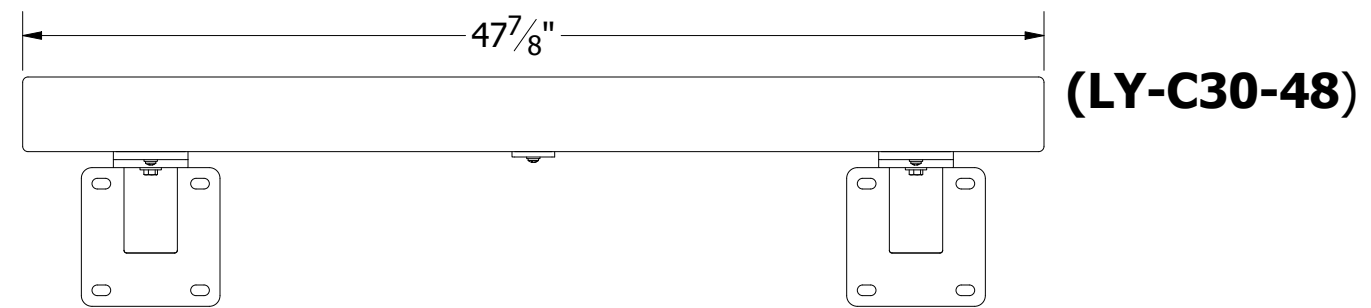
POWDERCOAT COLOR (STANDARD IS BLACK)

ORIGINAL BENCH PART NUMBER

PLEASE COMPLETE FOR EACH UNIQUE BENCH
(DIMENSIONS IN INCREMENTS NO SMALLER THAN 1/8")



STANDARD SIZE OPTIONS



BENCH LENGTH	# OF BRACKETS
24" TO 72"	2
>72" TO 96"	3

APPROVAL:

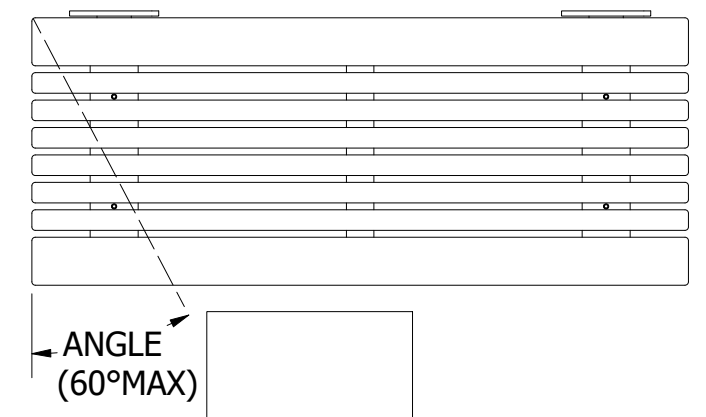
Signature authorizes Tournesol Siteworks to manufacture the product as shown

CORNER CONDITIONS

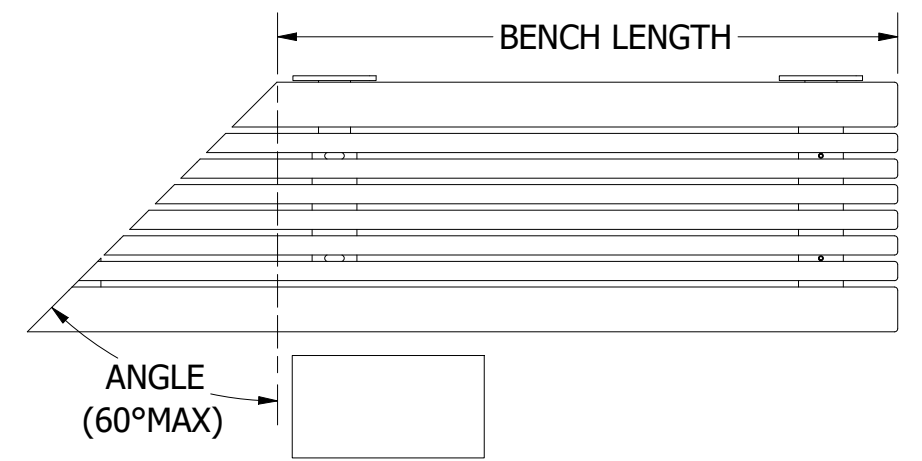
FILL IN DIMENSION BLANKS AS APPLICABLE.
STANDARD ANGLE IS 45°

IF BOTH ENDS OF THE BENCH NEED TO BE ANGLED, OR FOR MORE INFORMATION AND GUIDANCE, PLEASE CONTACT YOUR LOCAL SALES REPRESENTATIVE.

INSIDE CORNER
(LY-C30-IN)

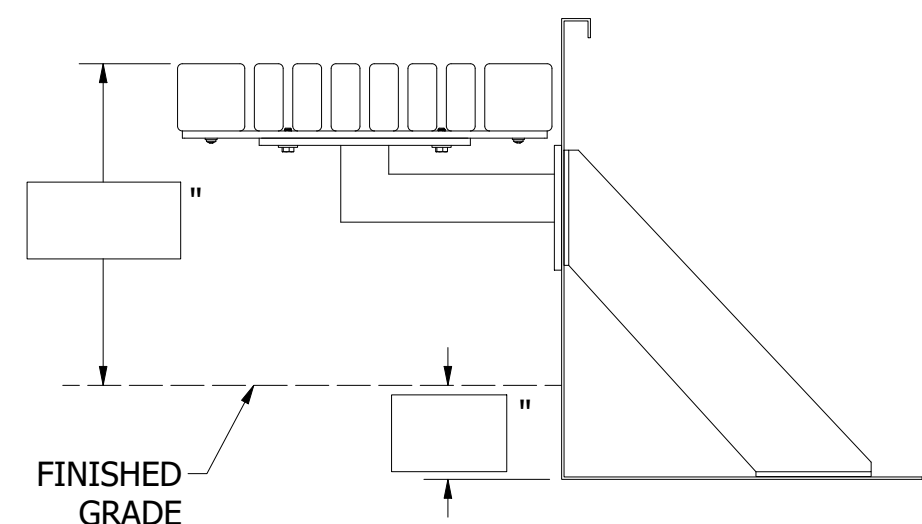


OUTSIDE CORNER
(LY-C30-OUT)



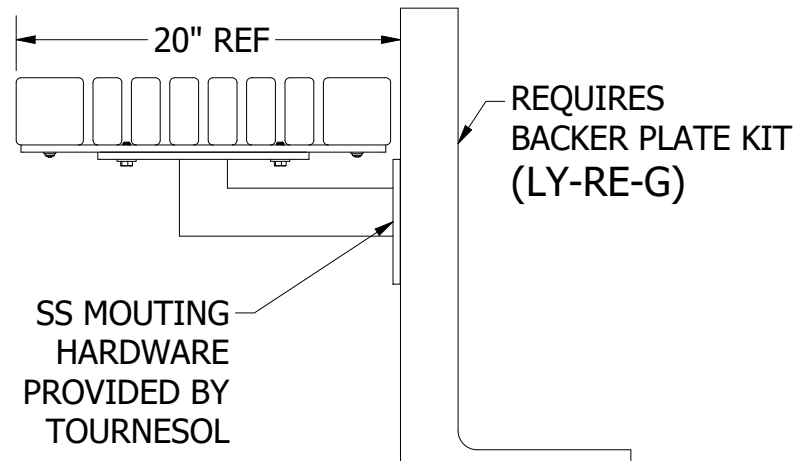
METAL PLANTER MOUNTING HEIGHT

STANDARD MOUNTING HEIGHT IS 18" ABOVE FINISHED GRADE
PLEASE ENTER DIMENSIONS HERE IF PLANTER SITS BELOW FINISHED GRADE

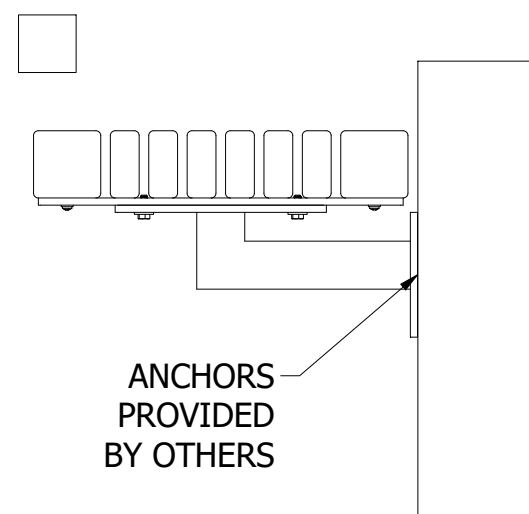


MOUNTING OPTIONS - CHOOSE ONE

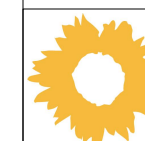
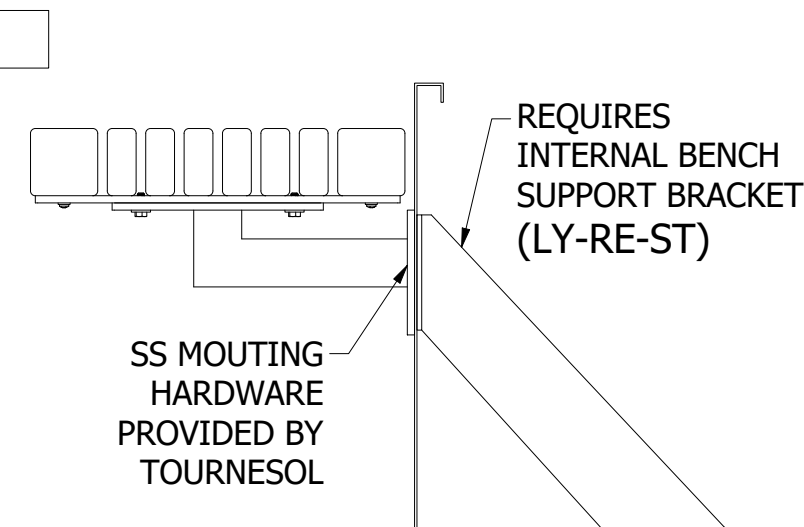
TOURNESOL GFRC PLANTER



CAST IN PLACE WALL
OR OTHER STRUCTURALLY SOUND SURFACE



TOURNESOL METAL PLANTER



Tournesol Siteworks
2930 Faber Street,
Union City, CA 94587

DRAWN: 1/17/2020

SIZE DWG NO

C LY-C30-APP

ALL DIMENSIONS IN INCHES SCALE

TITLE

C1 APPLICATION SHEET
WALLY CASCADE BENCH (TYPE C)

REV

A

MATERIAL: GFRC

SHEET 1 OF 1